

Cabinet 450 H2

Universal



Installation manual






General information

IMPORTANT Always make sure all connections are tight and secure before driving and occasionally check the fittings in particular when going off-road.

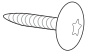

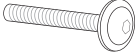

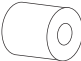


TIP Clean the powder coated surfaces by using a mild soap, try to avoid any aggressive detergents.

NOTICE The installation can involve working with electricity, water or gas. Please make sure you are competent or contact a professional.

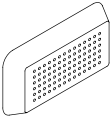

Required tools

-  | HEX 3mm
-  | TORX T20
-  | DRILL 9mm
-  | Screw/Drilling
-  | Rivet tool

BOLT KIT cabinet 450

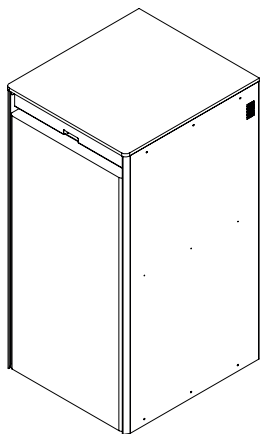
-  **8x** 5x12mm screw
-  **4x** M6 rivet
-  **4x** M6x30 flange bolt
-  **4x** M6x15mm ring
-  **4x** M6x15mm tube
-  **8x** M4x14
-  **8x** M4 flange nut

BOLT KIT fridge mounting

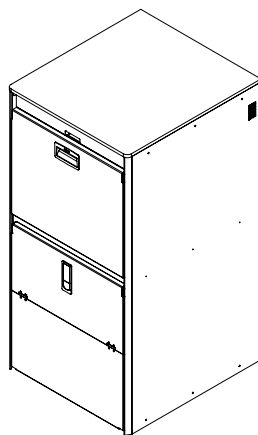
-  **4x** mounting support
-  **1x** 15x15 cellular tape

General information

Options

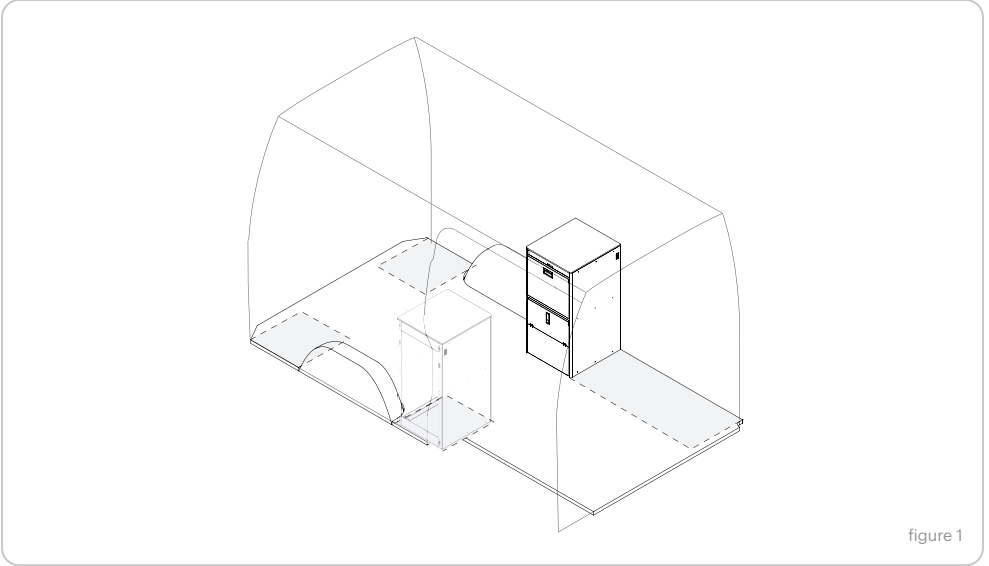


**70L fridge
(build in)**



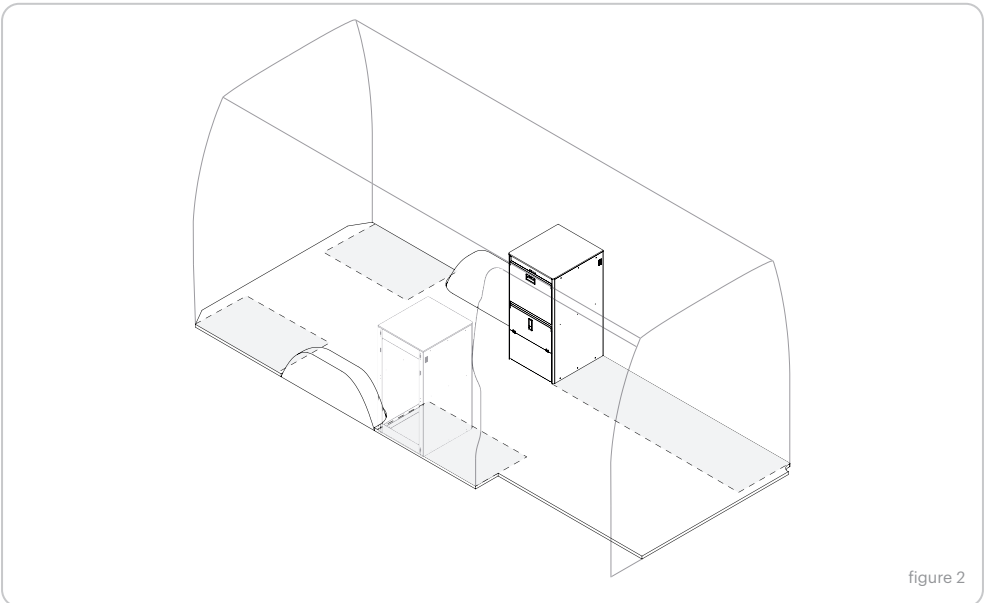
**Drawer and lid
(toilet) (power
station)**

Placement



6M VAN SIZE

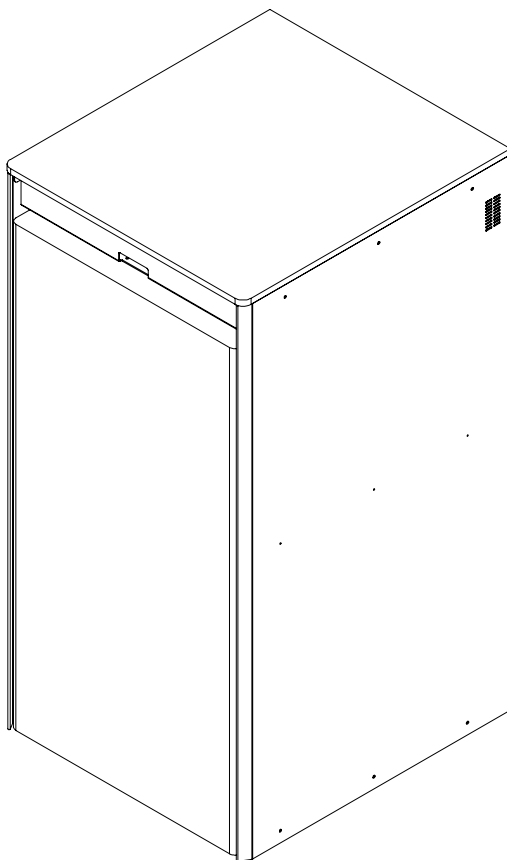
MB Sprinter **L2**, VW Crafter **L3**, FIAT Ducato **L3**, FORD Transit **L3**



7M VAN SIZE

MB Sprinter **L3**, VW Crafter **L4**, FIAT Ducato **L4**, FORD Transit **L4**

A Build-in Fridge



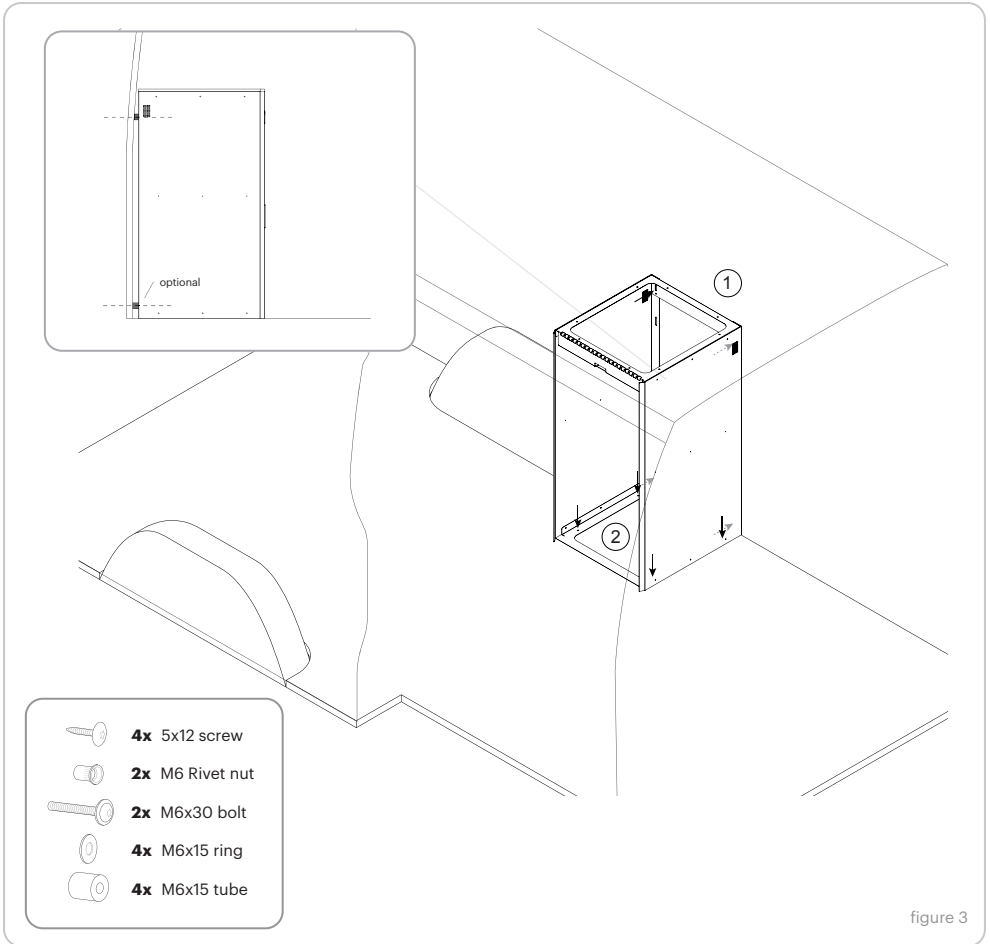
Models

DOMETIC
INDEL B

RC10.4 70L
Slim 70L

Installation A

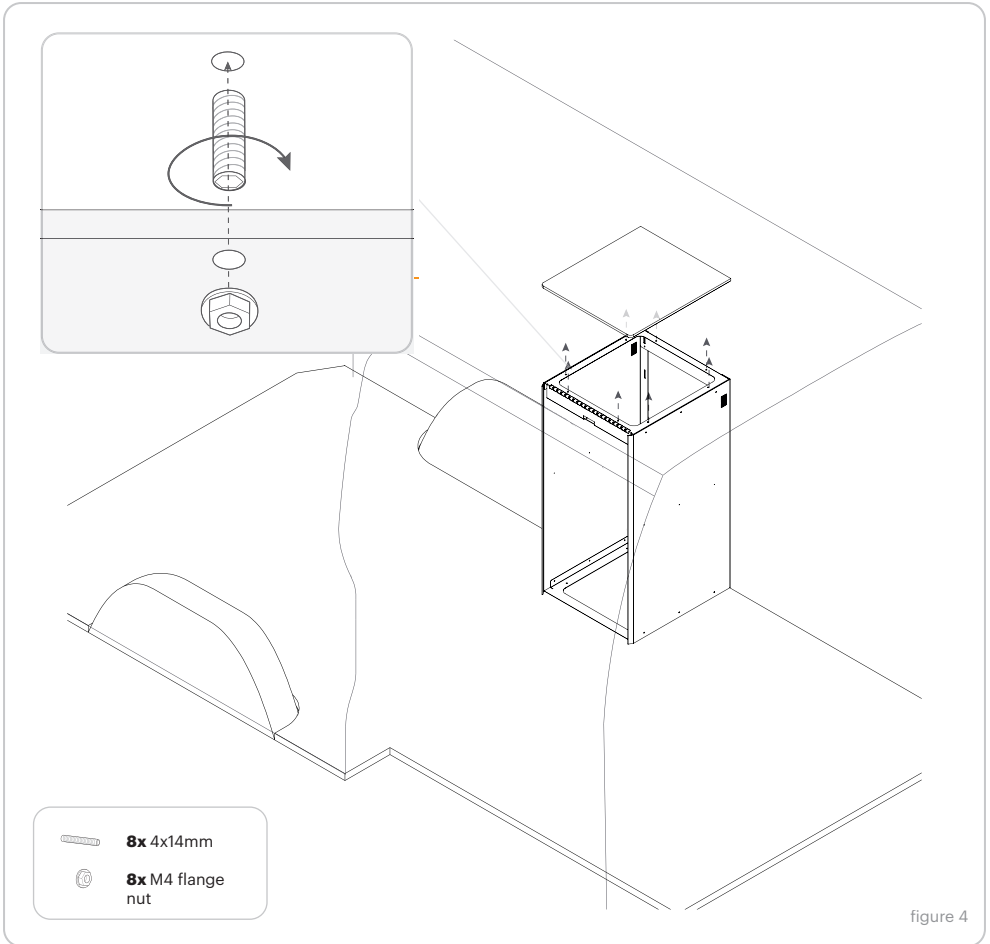
Van position



1. Position the cabinet on the floor without fridge, Mark a position for the rivet nut through the backside directly to the chassis, mounting rail or custom support frame. Drill out 9mm and insert the M6 rivet. Now screw the bottom to the floor by the 5x12 screws. We included a 15mm tube to overcome any angled deviations present in most van types.

Installation A

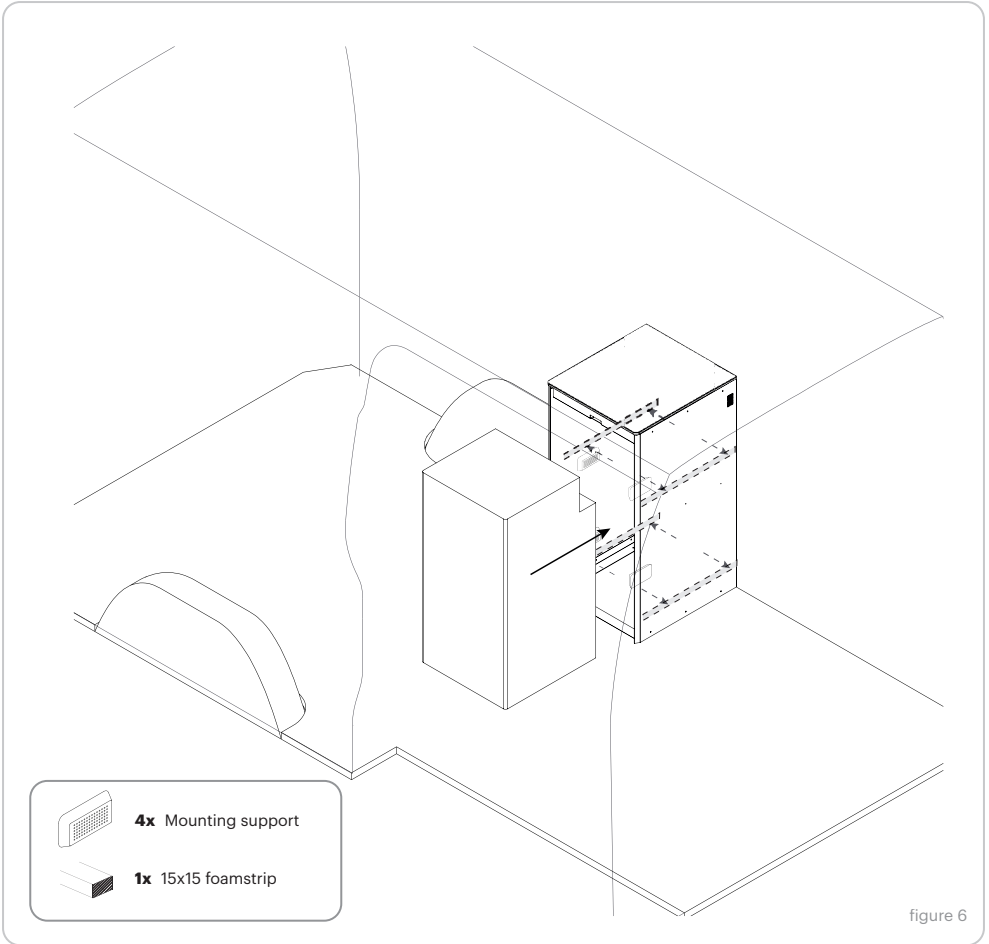
Countertop



2. Before installing the fridge we recommend to provide the required 12V/24V supply. Insert the M4 thread from the bottom side of the countertop and place on its position. Now fixate from the inside by the M4 flange nuts. We recommend to test all systems before continuing. Afterwards all drawers can be placed back. Make sure there is enough room at the backside of the kitchen galley for them to close.

Installation A

70L Fridge



3. Most fridges are mounted from the inside. The exact position varies per brand. We include an self-adhesive mounting support that should be placed correspondingly. For additional support and abrasion(sound) prevention the included foam strip should be placed on the inside of the cabinet before final placement. Typically dimensions should follow max 420mm wide by max 825mm high.

FRIDGE MODELS

DOMETIC	RC10.4	70L
INDEL B	SLIM	70L