

Cabinet 450 H4

Universal



Installation manual






General information

IMPORTANT Always make sure all connections are tight and secure before driving and occasionally check the fittings in particular when going off-road.

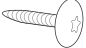
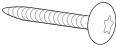
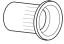
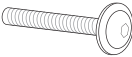


TIP Clean the powder coated surfaces by using a mild soap, try to avoid any aggressive detergents.

NOTICE The installation can involve working with electricity, water or gas. Please make sure you are competent or contact a professional.


Required tools

-  | HEX 3mm
-  | TORX T20
-  | DRILL 9mm
-  | Screw/Drilling
-  | Rivet tool

BOLT KIT cabinet 450

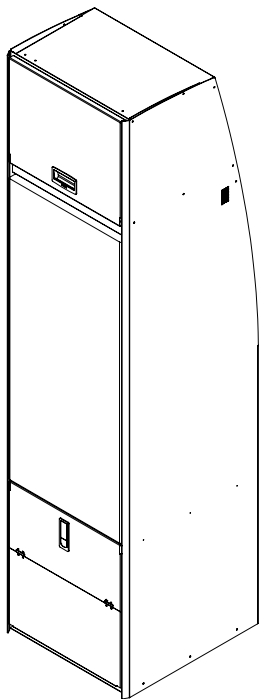
-  **4x** 5x12mm screw
-  **10x** 6x25mm screw
-  **10x** M6 rivet
-  **10x** M6x30 flange bolt
-  **10x** M6x15mm ring
-  **10x** M6x15mm tube

BOLT KIT fridge mounting

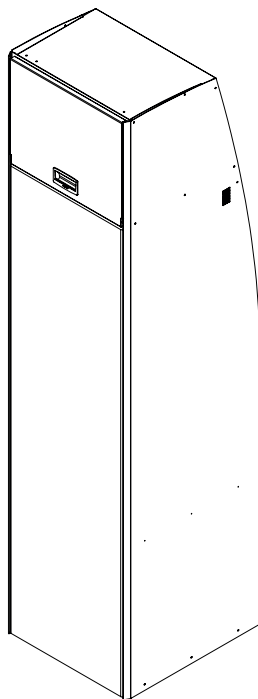
-  **4x** mounting support
-  **1x** 15x15 cellular tape

General information

Options



**90L fridge and
drawer (toilet)**



140L fridge

Placement

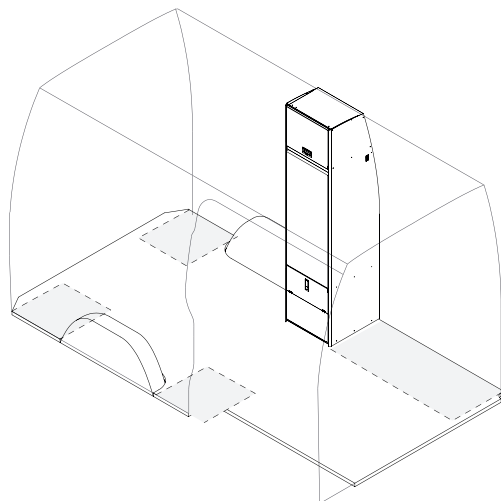


figure 1

6M VAN SIZE

MB Sprinter **L2**, VW Crafter **L3**, FIAT Ducato **L2-L3**

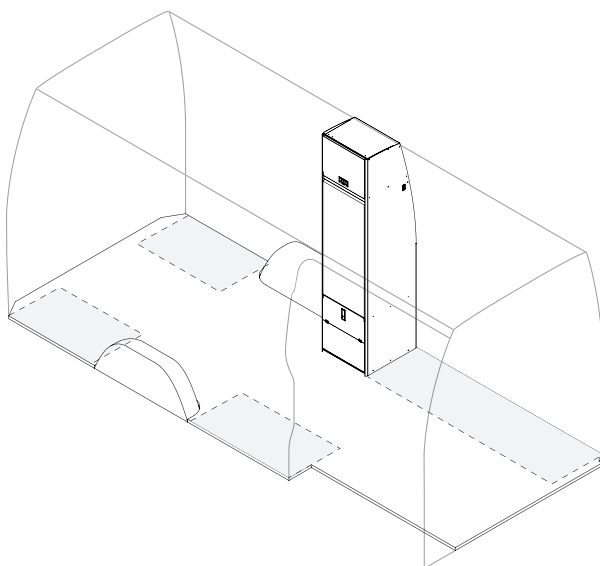
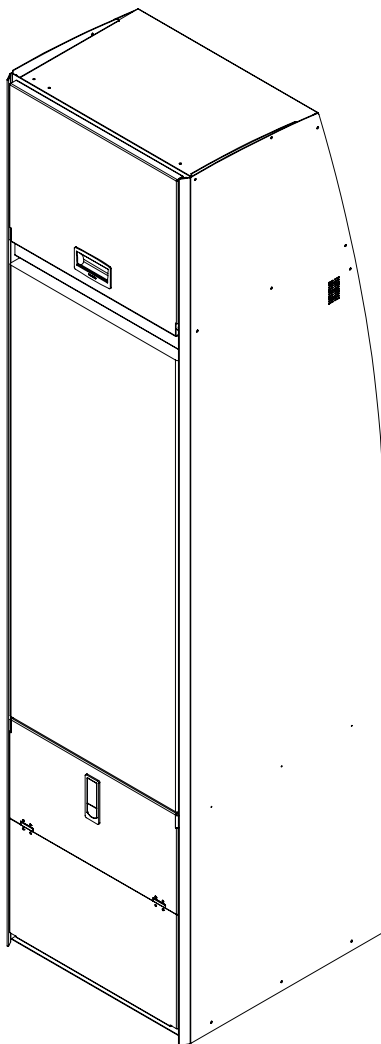


figure 2

7M VAN SIZE

MB Sprinter **L3**, VW Crafter **L4**, FIAT Ducato **L3**

A Build-in Fridge



Models

DOMETIC
INDEL B
THETFORD

RC10.4 90L
Slim 90L
T2090/T1090 90L

Installation A

Van position

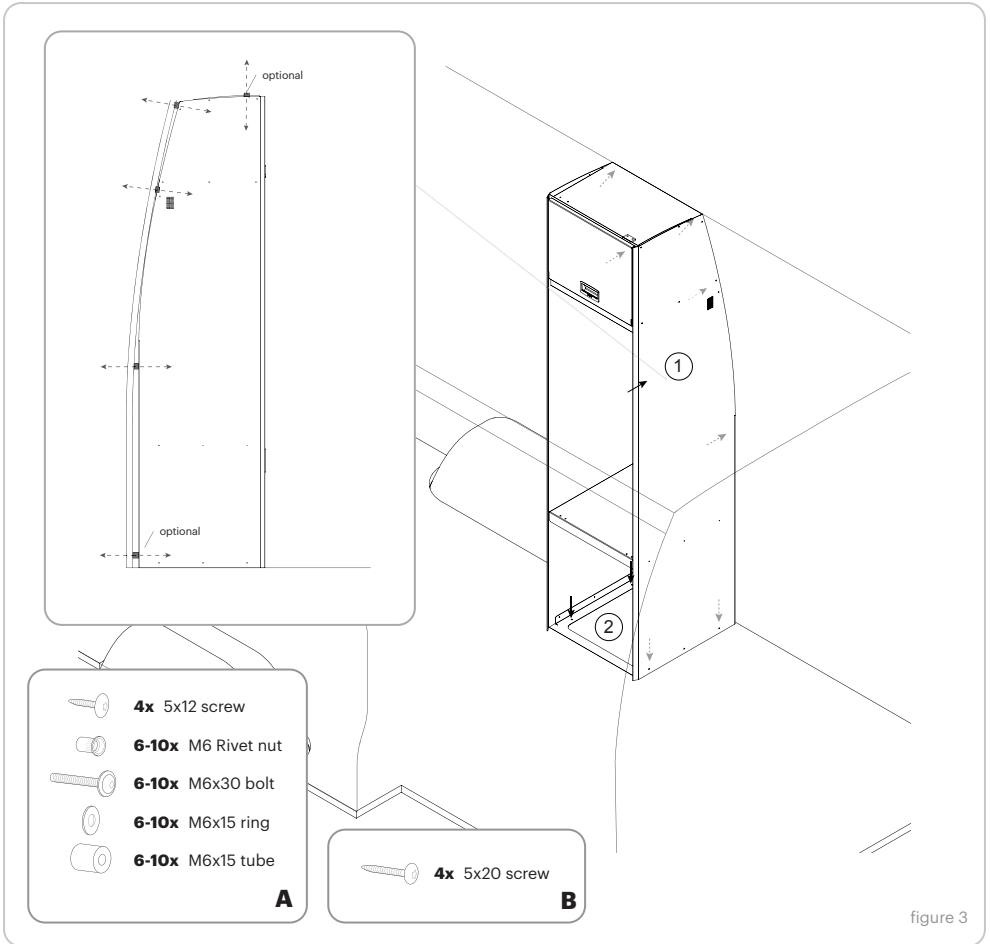
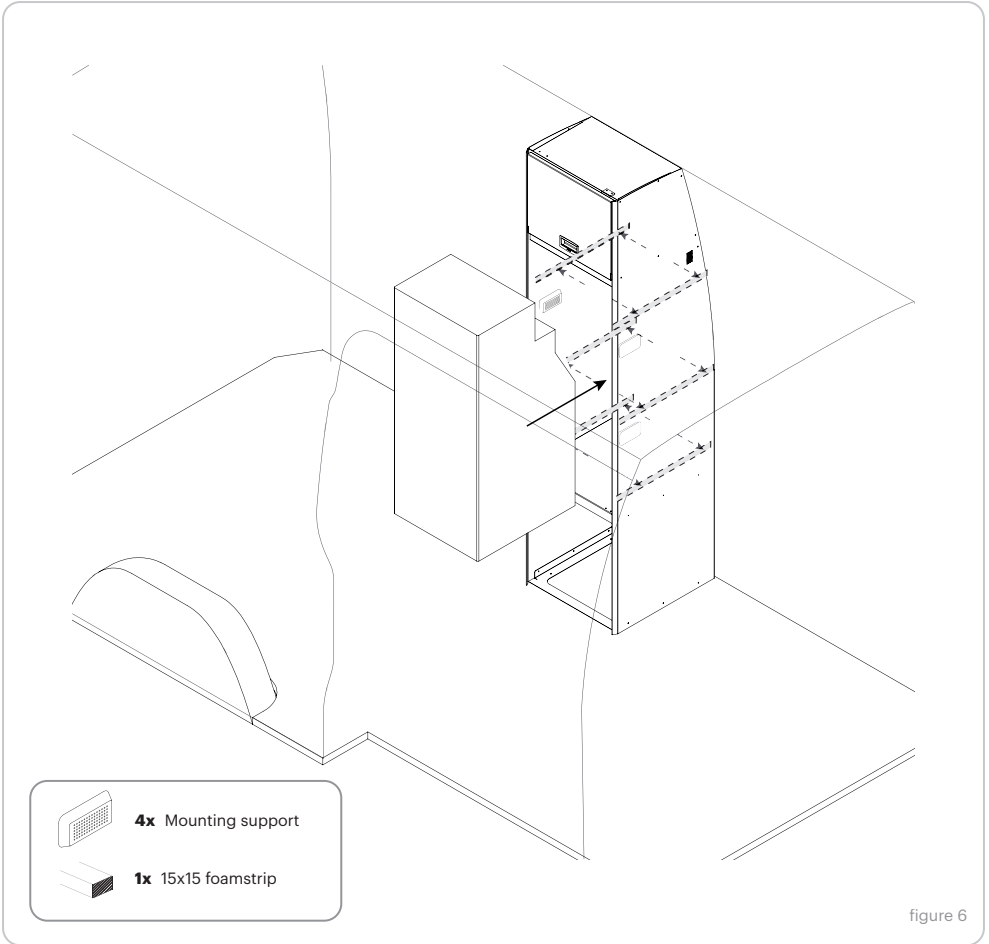


figure 3

1. Position the cabinet on the floor without fridge, Mark a position for the rivet nut through the backside directly to the chassis, mounting rail or custom support frame. Drill out 9mm and insert the M6 rivet **A** or screw into position **B**. Now screw the bottom to the floor by the 5x12 screws. We included a 15mm tube to help overcome any angled deviations present in most van types.

Installation A

90L Fridge



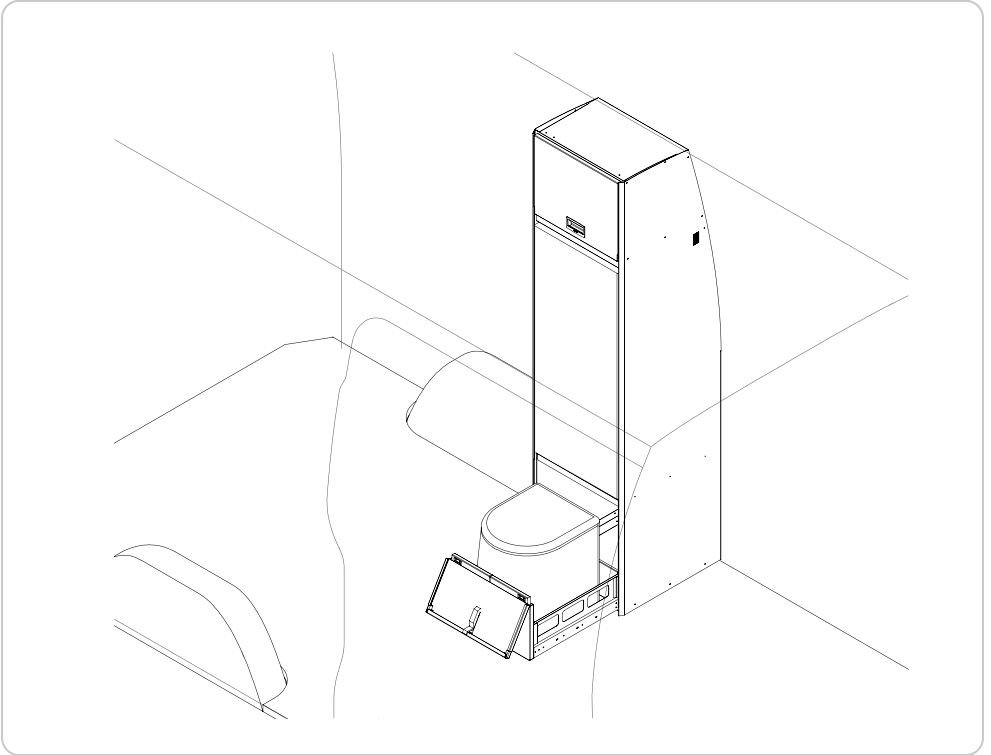
3. Most fridges are mounted from the inside. The exact position varies per brand. We include a self-adhesive mounting support that should be placed correspondingly. For additional support and abrasion(sound) prevention the included foam strip should be placed on the inside of the cabinet before final placement. Typically dimensions should follow max 420mm wide by max 975mm high.

FRIDGE MODELS

| | | |
|----------|------------|-----|
| DOMETIC | RC10.4 | 90L |
| INDEL B | SLIM | 90L |
| THETFORD | T2090/1090 | 90L |

Installation A

Drawer (toilet)



3. For an optimal position in the drawer and prevent the toilet from sliding we have included a foam insert that can be trimmed to match the toilet dimensions.

