



## **Garage drawer 1500**

*Universal*



Installation manual






# General information

**IMPORTANT** Always make sure all connections are tight and secure before driving and occasionally check the fittings in particular when going off-road.

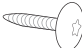
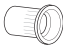

**TIP** Clean the powder coated surfaces by using a mild soap, try to avoid any aggressive detergents.

**NOTICE** The installation can involve working with electricity, water or gas. Please make sure you are competent or contact a professional.

## Required tools

-  1 HEX 3|4|5mm
-  1 TORX T15
-  1 DRILL 3mm
-  1 Screw/Drilling
-  1 Rivet tool

## BOLT KIT garage drawer 1500

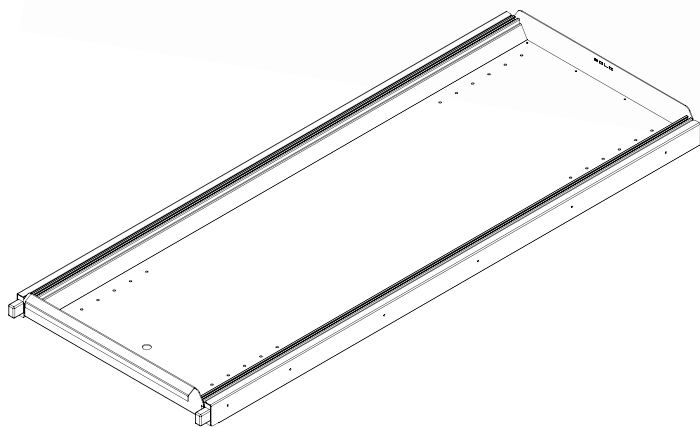
-  **12x** 5x13mm screw
-  **2x** 6x16mm screw
-  **2x** M6 rivet
-  **2x** M6x20 bolt

## BOLT KIT bike mounting bracket

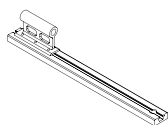
-  **2x** M6x20 bolt
-  **2x** M6 flangenut
-  **2x** M6 ring
-  **2x** M6 PVC cap
-  **2x** M5x16 bolt
-  **2x** M5 receiver

# General information

*Options*



**garage drawer 600**



**bike mounting rail**

# Placement

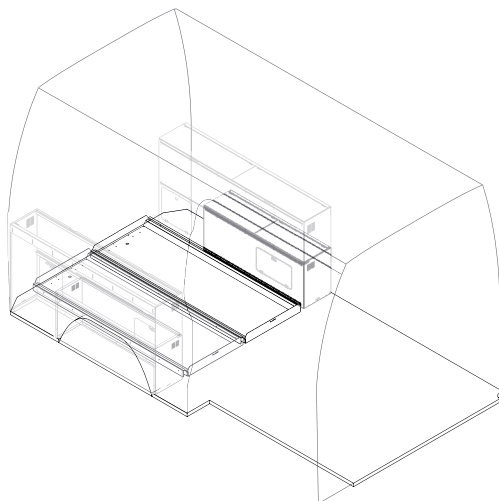


figure 1

MB Sprinter **L2** (2006+) / VW Crafter **L2** (2006-2018) | VW Crafter/MAN GTE **L3** (2018+)

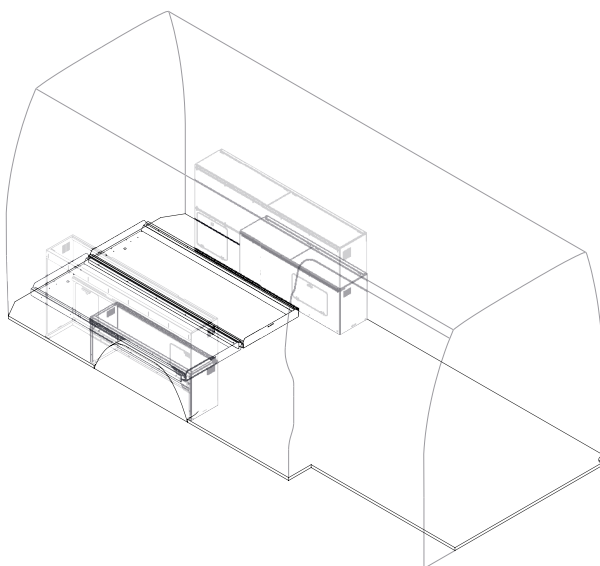
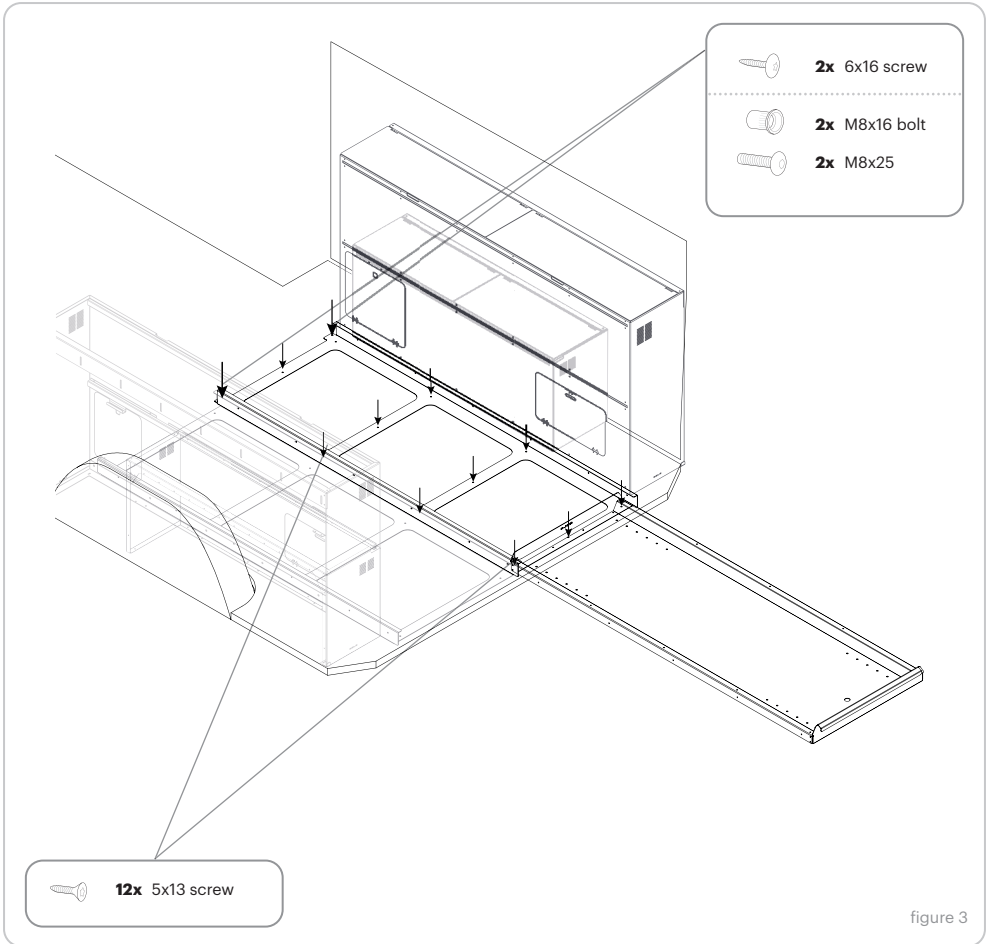


figure 2

MB Sprinter **L3/L4** (2006+) / VW Crafter **L3/L4** (2006-2018) | VW Crafter/MAN GTE **L4** (2018+)

# Installation

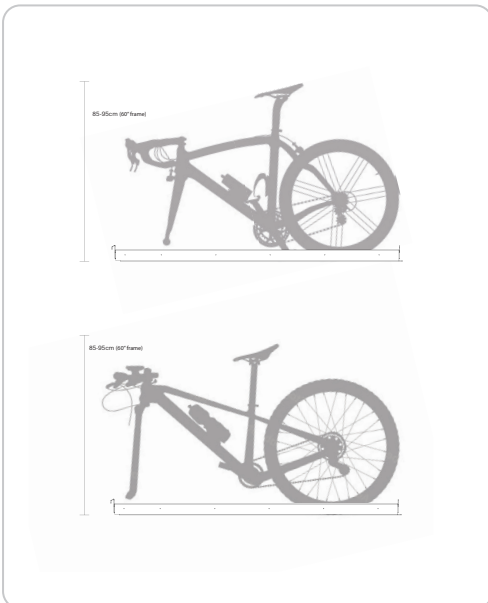
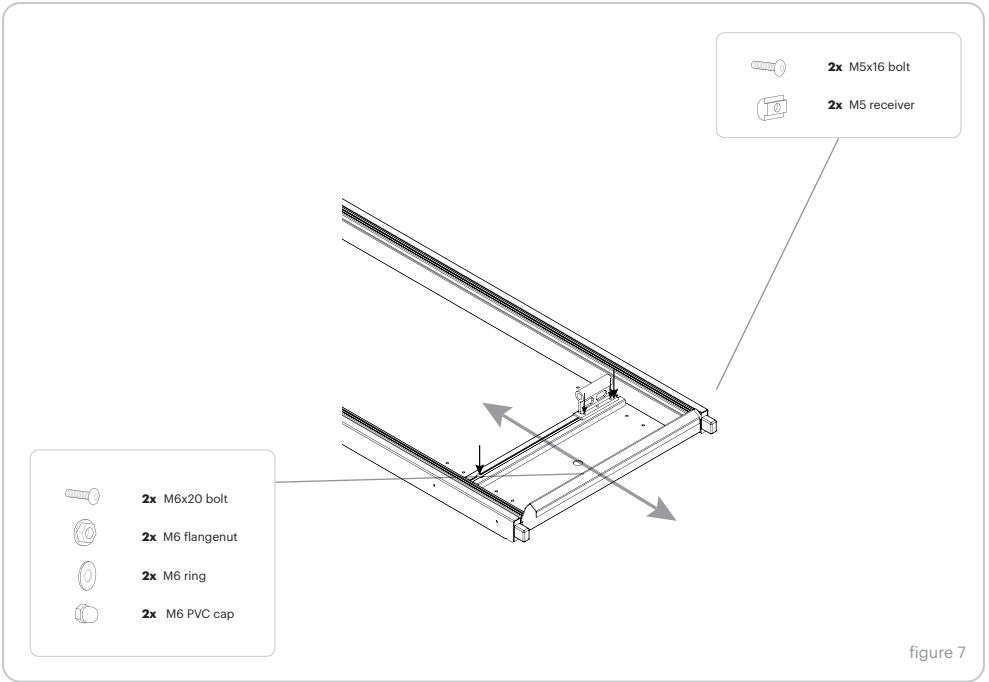
## Garage



**1.** Place the drawer frame on either side of the centerline of the floor. Make sure it is parallel with the **SOLO WHEEL STORAGE BOX / SOLO WHEEL CABINET**. Now fixate by the included screws. For additional structural support we recommend to add the larger screw or rivet and bolt at the end position of the frame.

# Installation

BIKES 1 | 2



**2.** The drawer is designed to hold up to 2 bikes of various types and sizes thanks to the adjustable bracket. Attach the sliding rail form the underside by the included M6 bolts and give the right clearance for the fork and backdoor.

Now mount the forkholder to the rail. To be able to hold 2 bikes place to fork holders on a opposite position.

Use the siderail to strap the bike and disassembled wheel.

# Installation

BIKES 1 | 2

