

Galley 450

Universal



Installation manual






General information

IMPORTANT Always make sure all connections are tight and secure before driving and occasionally check the fittings in particular when going off-road.

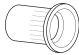
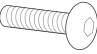

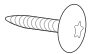


TIP Clean the powder coated surfaces by using a mild soap, try to avoid any aggressive detergents.

NOTICE The installation can involve working with electricity, water or gas. Please make sure you are competent or contact a professional.

Required tools

-  | HEX 1 + 4mm
-  | TORX T20
-  | DRILL 11mm
-  | Screw/Drilling
-  | Rivet tool



BOLT KIT

	1x	M8 O-3mm
	1x	M8x16mm
	1x	M8x25mm
	10x	5x12mm
	12x	4x14mm
	12x	M4

BOLT KIT Fridge

	1x	Cellular tape
--	-----------	---------------

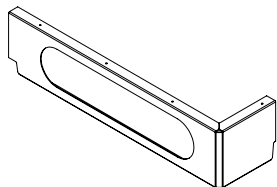
BOLT KIT Integrated sink

	6x	4x20mm
	6x	M4
	6x	adapter

General information

Options

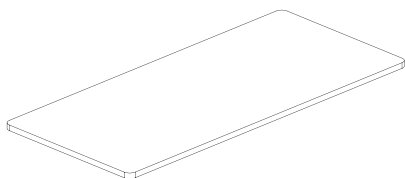
1



Floor step

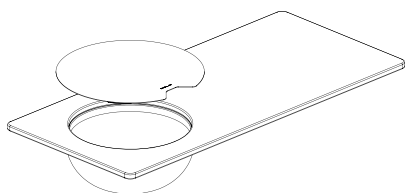
Mercedes Sprinter 2006

2



Full countertop

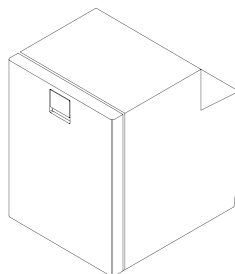
DOMETIC combi unit



Integrated sink

Faucet 12V or pressure pump

3



Fridge

build-in water tanks

DOMETIC

DOMETIC

DOMETIC

ISOTHERM

WEBASTO

INDEL B

INDEL B

CRE 50

Coolmatic CRX 50

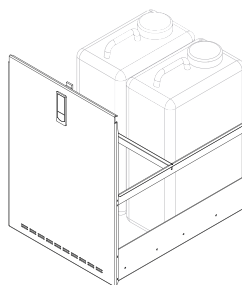
NRX 50

Cruise elegance 49L

Cruise elegance 49L

Cruise 49L

Elite 49L (drawer)

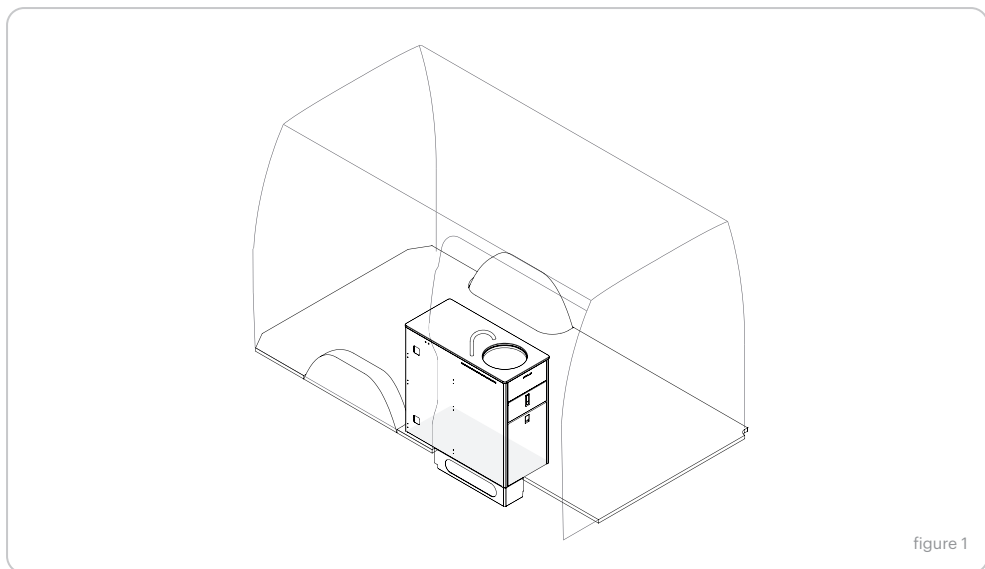


Front drawer

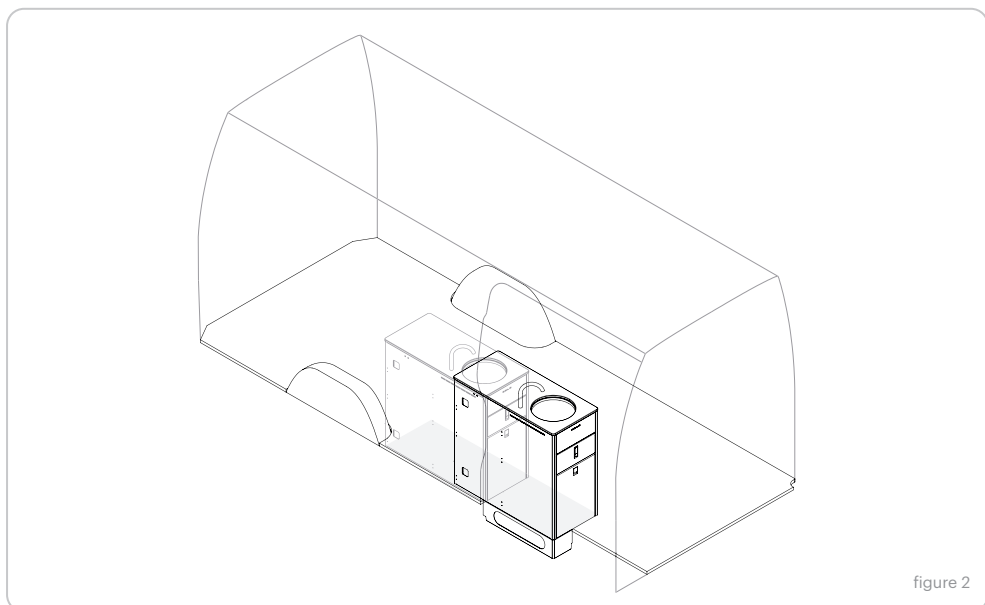
Internal water tanks

2x20L

Placement



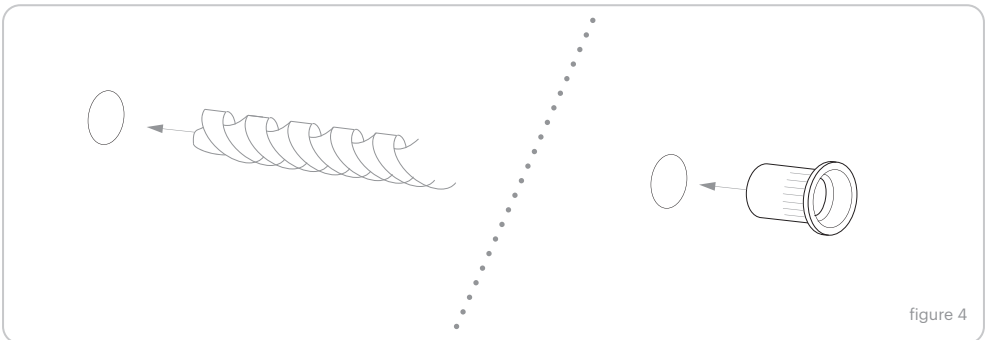
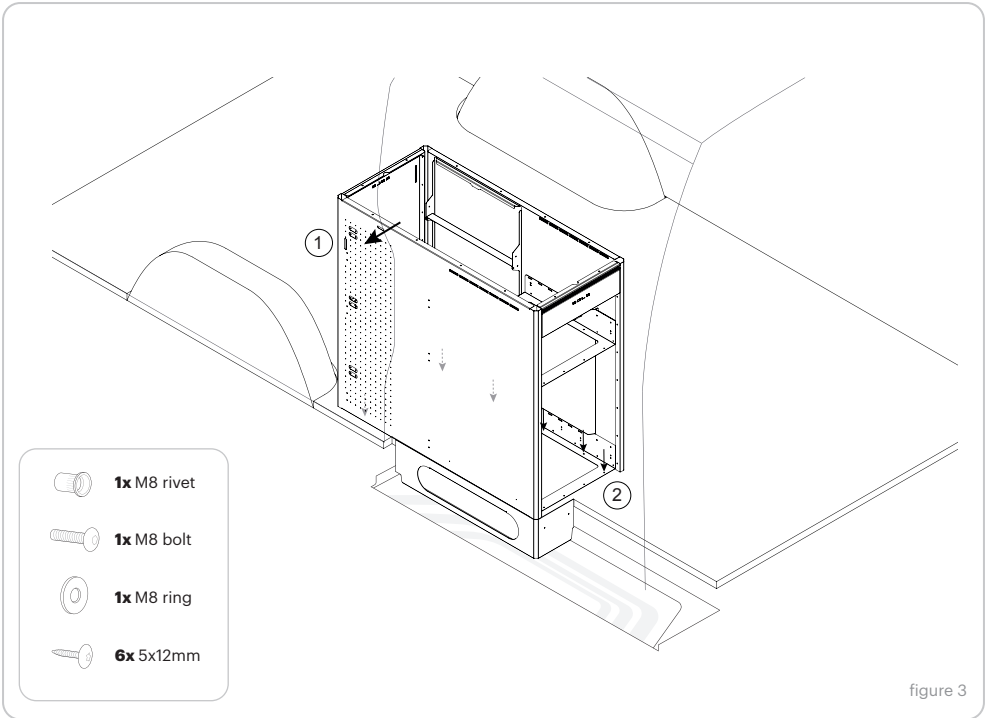
MB Sprinter **L2** (2006+) / VW Crafter **L2** (2006-2018) | VW Crafter/MAN GTE **L3** (2018+)



MB Sprinter **L3/L4** (2006+) / VW Crafter **L3/L4** (2006-2018) | VW Crafter/MAN GTE **L4** (2018+)

Installation A

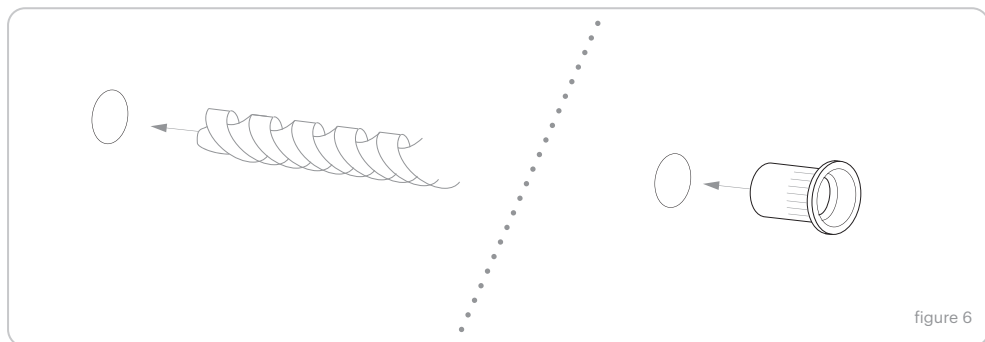
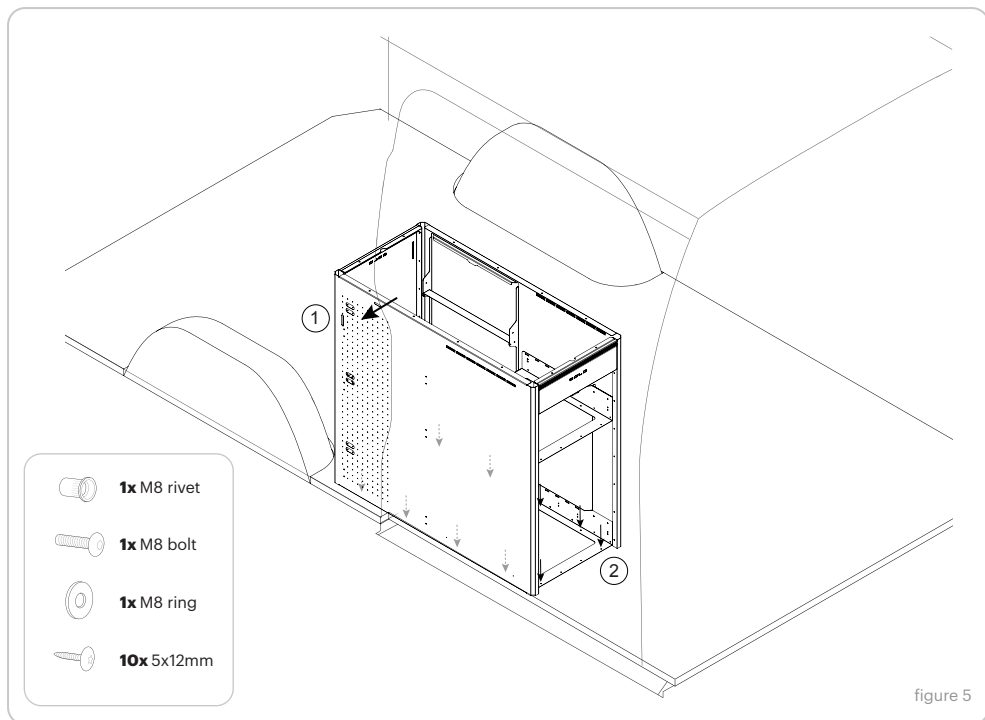
Galley fit MB sprinter RWD and AWD



1. Position the galley on the floor without fridge, drawers or table top and match it to the floor step. Mark a position for the rivet nut through the backside of the kitchen on the door frame of the chassis. Drill out 11mm and insert the M8 rivet. Now screw the bottom of the kitchen to the floor by the 5x12mm screws. Finally insert the M8 bolt and ring from the inside of the kitchen.

Installation B

Galley fit universal



1. Position the galley on the floor without fridge, drawers or table top and match it to the floor step. Mark a position for the rivet nut through the backside of the kitchen on the door frame of the chassis. Drill out 11mm and insert the M8 rivet. Now screw the bottom of the kitchen to the floor by the 5x12mm screws. Finally insert the M8 bolt and ring from the inside of the kitchen.

Layout A

Full countertop

Full countertop

Recommended combi-unit
DOMETIC MO9722
CAN FL1766 FL1323
NAVY LOAD 2-pit combi

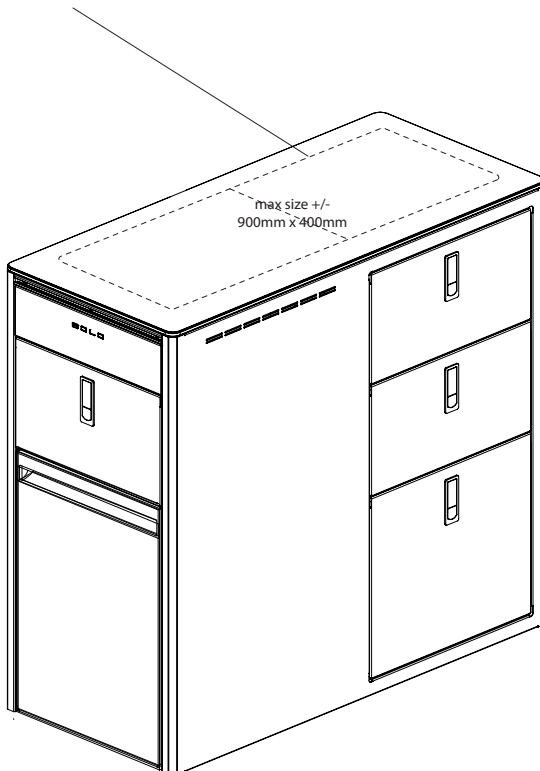
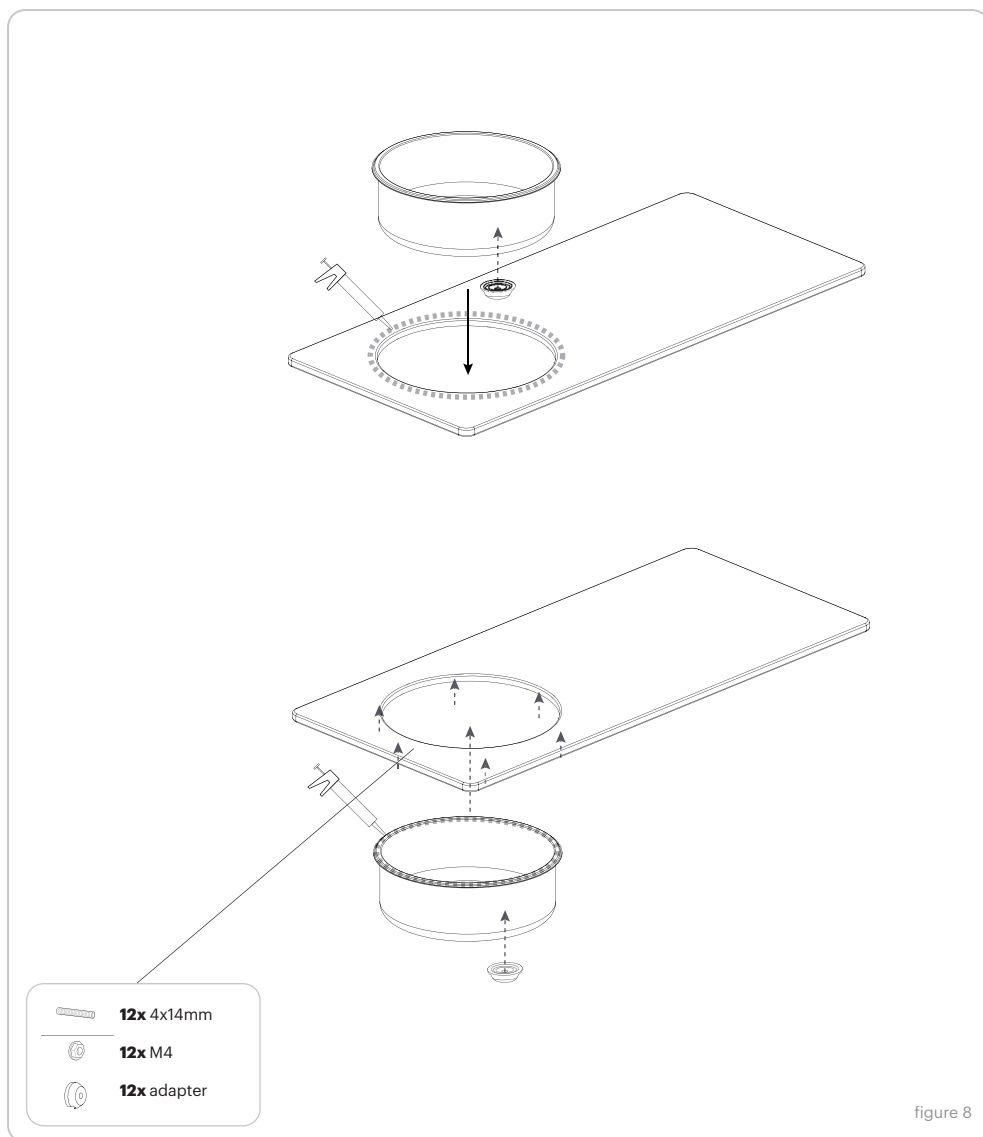


figure 7

2. Decide on the preferred countertop layout. This will determine the required water, gas and electricity infrastructure that should be facilitated. In case of a full countertop there are various custom options available, but in particular will fit a combination unit which typically span over the full length.

Layout B

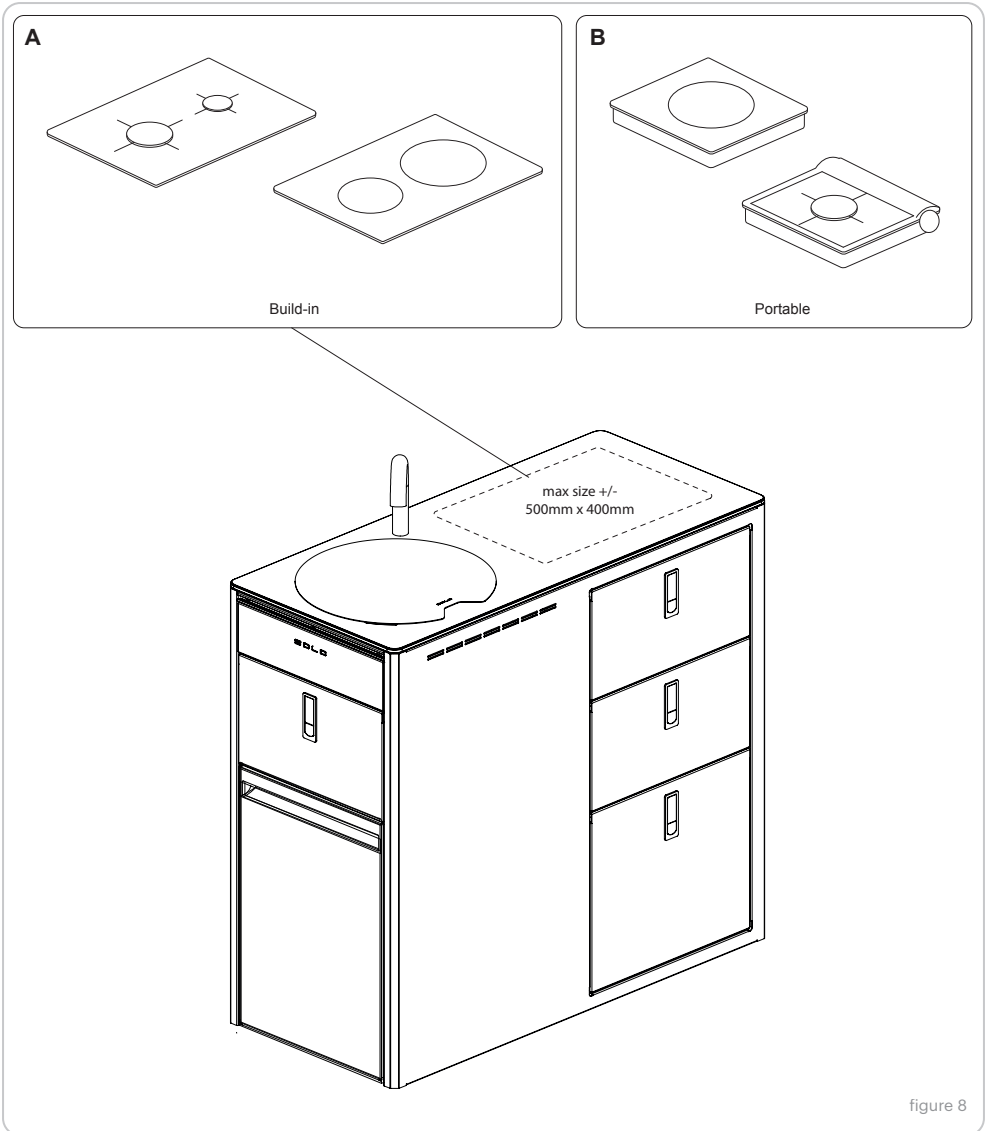
Countertop with integrated sink



2. Our complementary black sink can be mounted both from above and below the countertop. Use the included thread, adapter and nut to set in position and fasten by the pre-drilled holes.

Layout B

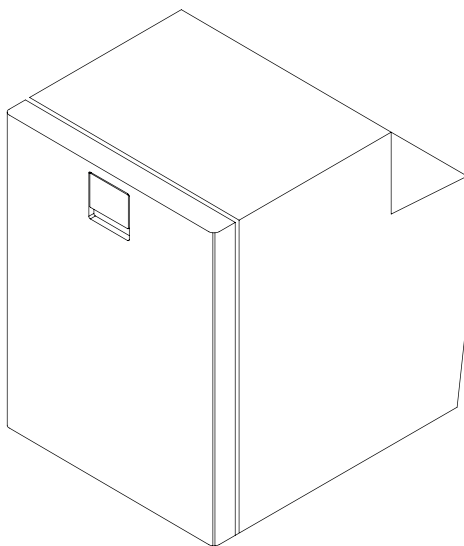
Countertop with integrated sink



2. For the countertop with an integrated sink there are basically two categories. Option A suggest a build-in gas induction stove. Option B is a non fixed alternative, but note that this option might interfere with regulations.

Build-in Fridge

50L



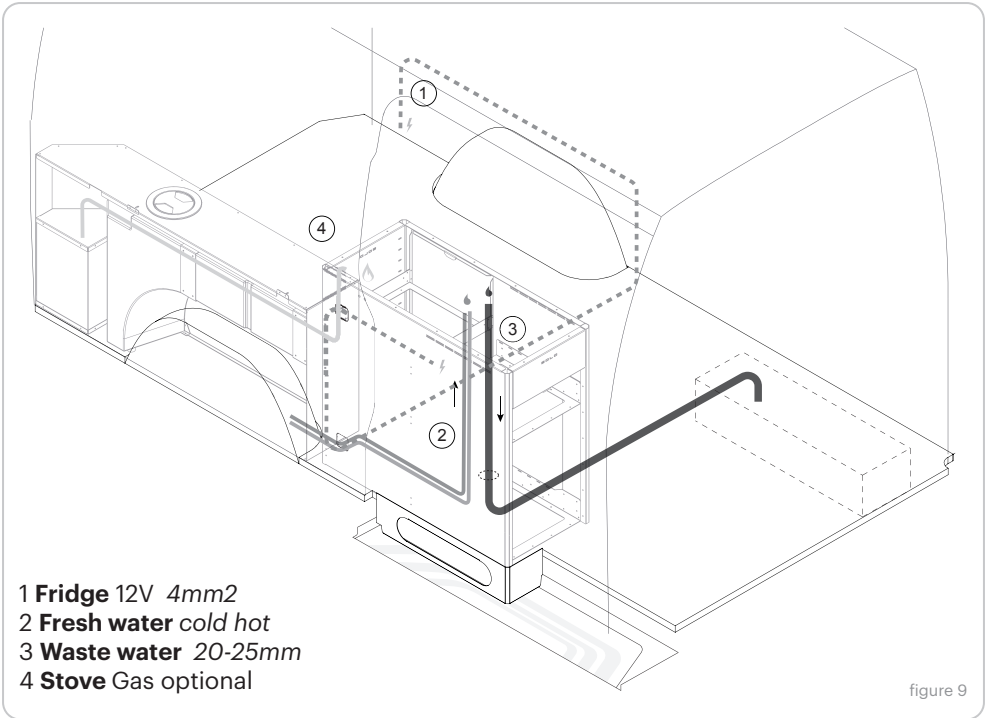
Models

DOMETIC
DOMETIC
DOMETIC
ISOTHERM
WEBASTO
INDEL B
INDEL B

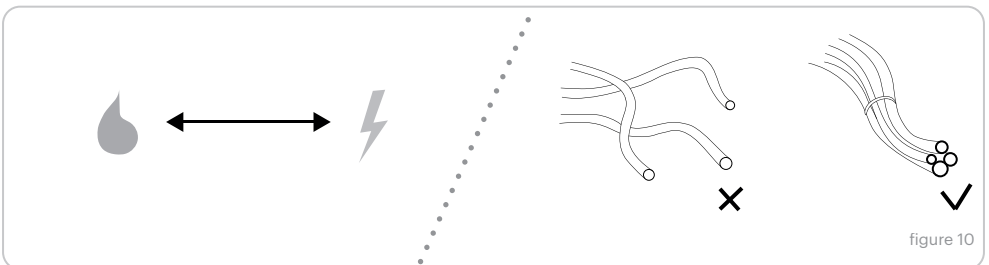
CRE 50
Coolmatic CRX 50
NRX 50
Cruise elegance 49L
Cruise elegance 49L
Cruise 49L
Elite 49L

Infrastructure

Option 3 Build-in water tanks



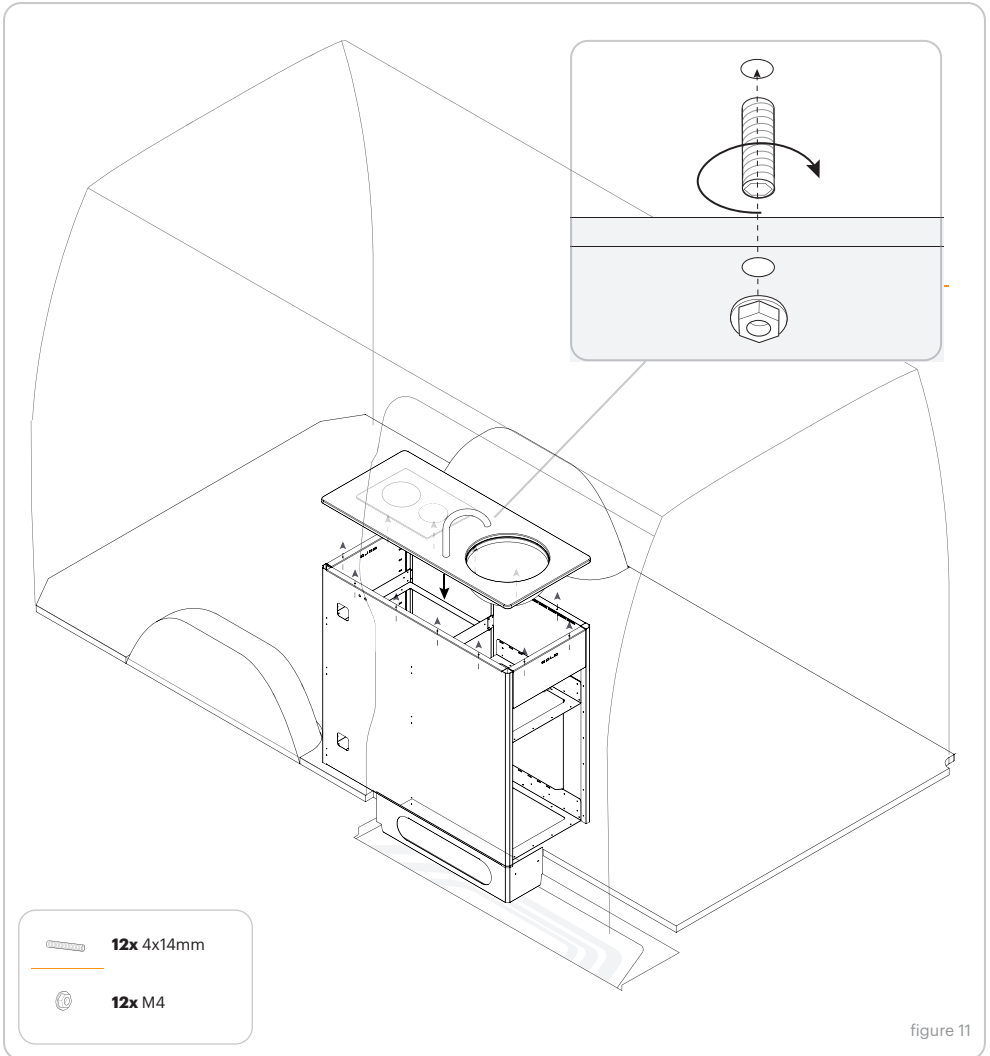
3. Layout the DC wiring for the fridge and lead it to a fused power source. Distribute the water input through the backside of the galley. Determine the waste water pathway and drill any holes if required. Prepare the gas or 230V infrastructure for the stove.



IMPORTANT Inside the kitchen unit all electrical cables should be tied together and mounted properly to prevent movement and therefore critical damage. Thereby we recommend to always separate water and electricity where possible. Ideally electrical wiring should always be above water.

Installation

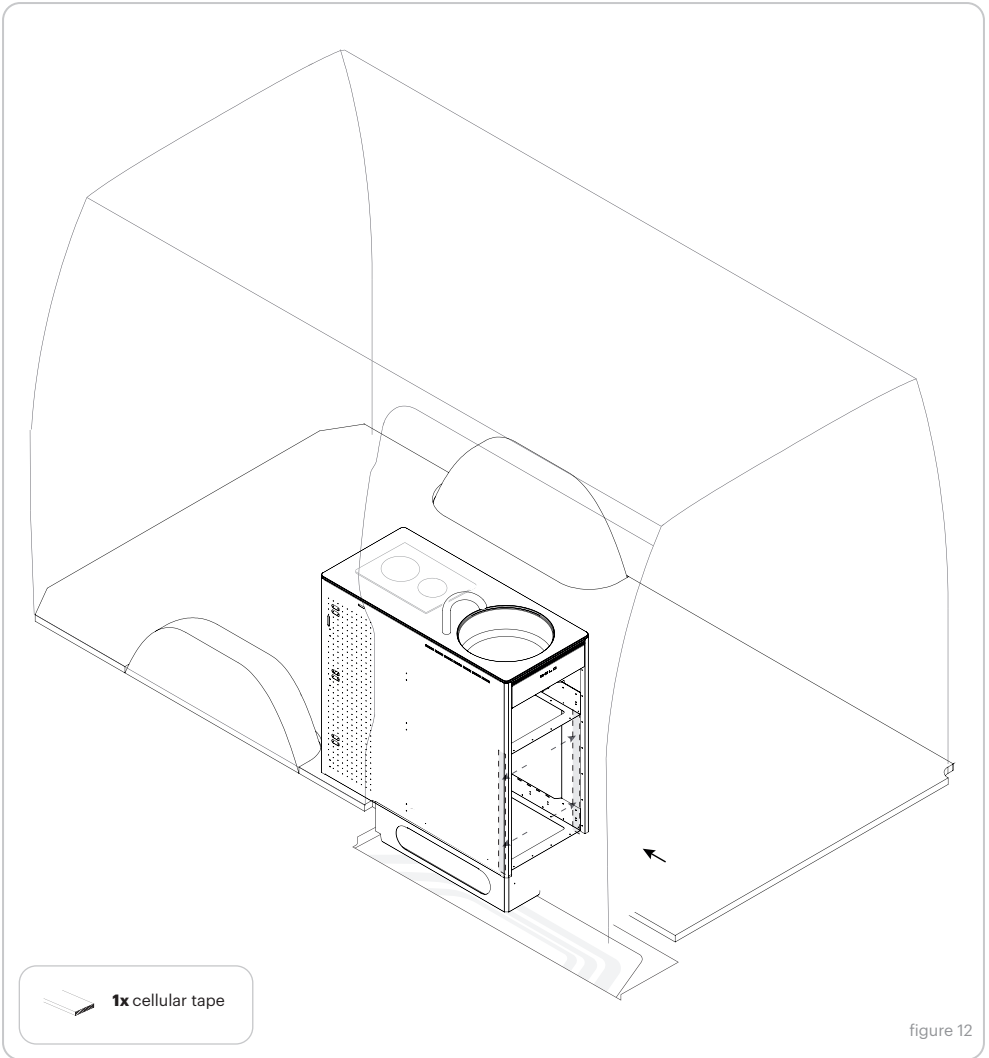
Countertop



4. Connect all appliances before placing the countertop on its position. Now fixate from the inside by the twelve 4x14mm thread. We recommend to test all systems before continuing. Afterwards all drawers can be placed back. Make sure there is enough room at the backside of the kitchen galley for them to close.

Installation

Fridge



6. Depending on the fridge brand it might be necessary to add an extra cellular tape to create the optimal width. Typically dimensions should follow max 380mm wide by max 535mm high. Follow the brand instruction to finalize the internal fridge fixation.

Installation

Fridge

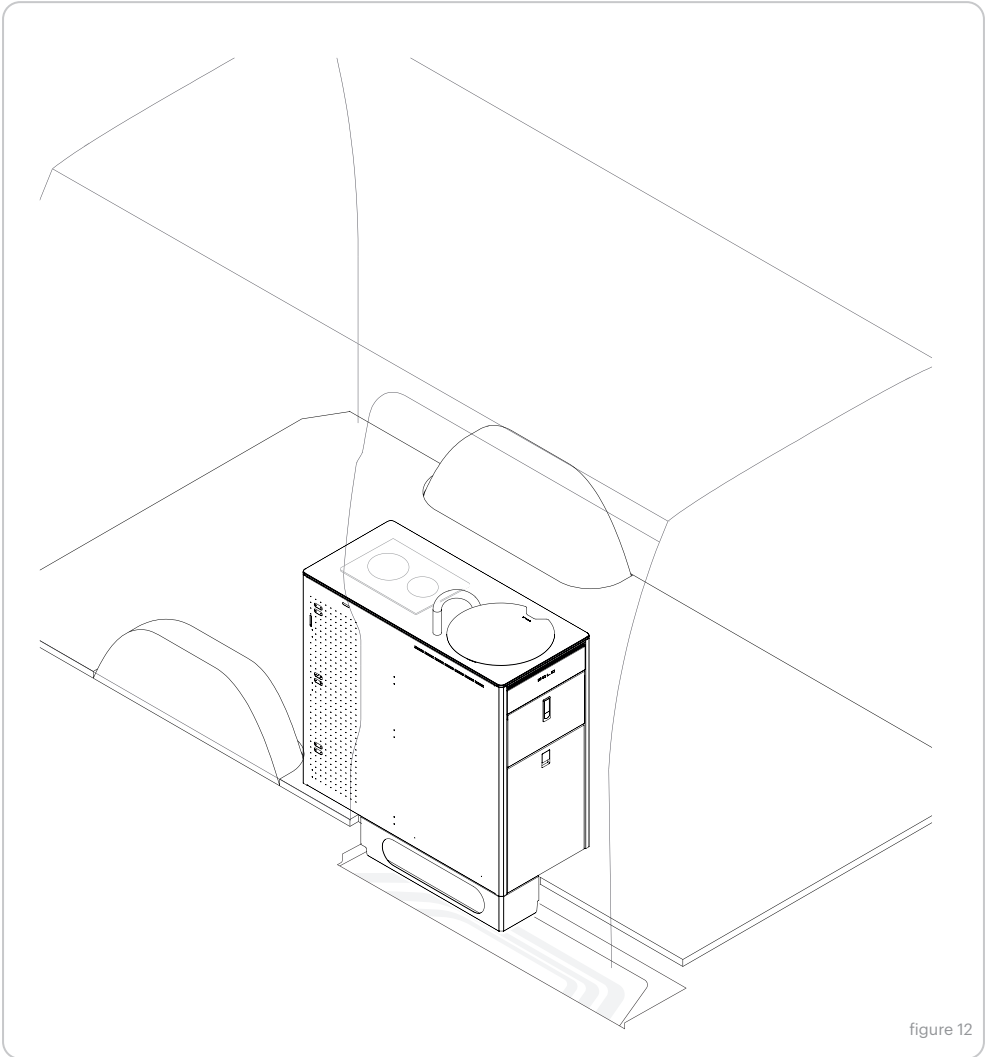
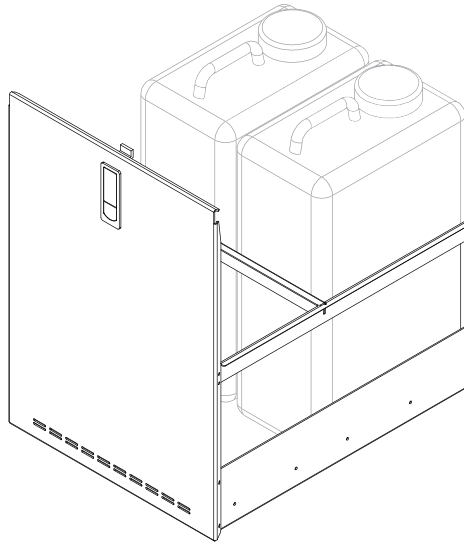


figure 12

6. Place back all drawers. Make sure there is enough room at the backside of the kitchen galley for them to be able to close.

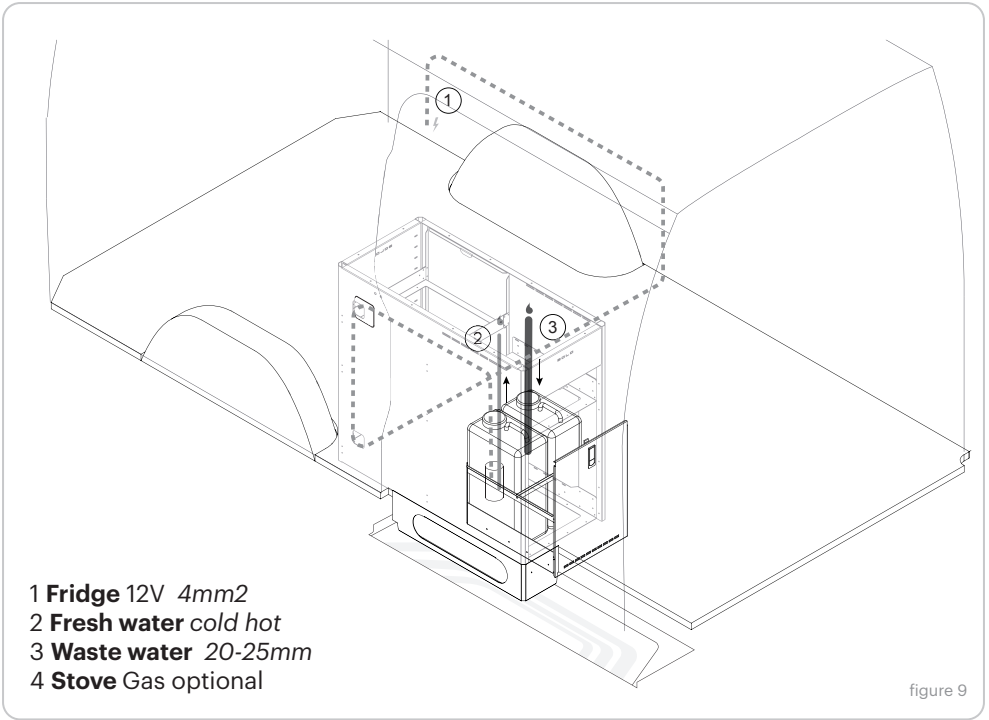
Front drawer

Internal water tanks

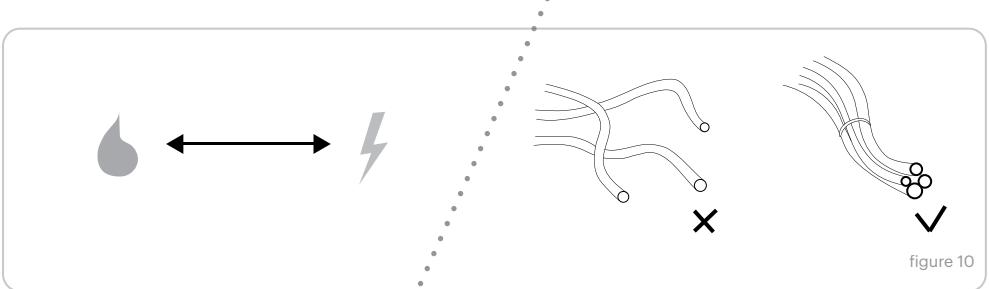


Infrastructure

Option 3 Internal water tanks



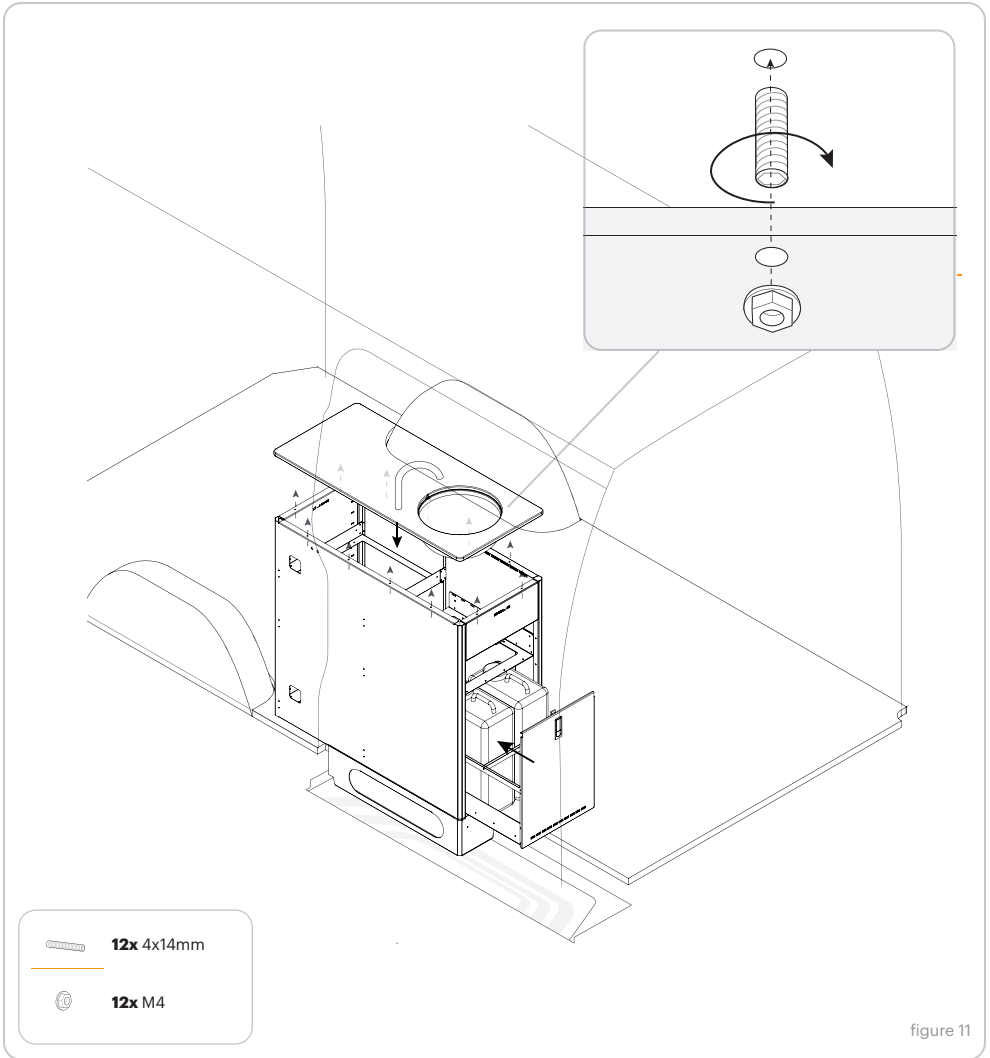
3. When combining the drawer with the water tanks the next step is to install all required hoses and wires required for the 12V water system at the indicated locations. We recommend removing the drawer when working on the inside of the kitchen.



IMPORTANT Inside the kitchen unit all electrical cables should be tied together and mounted properly to prevent movement and therefore critical damage. Thereby we recommend to always separate water and electricity where possible. Ideally electrical wiring should always be above water.

Installation

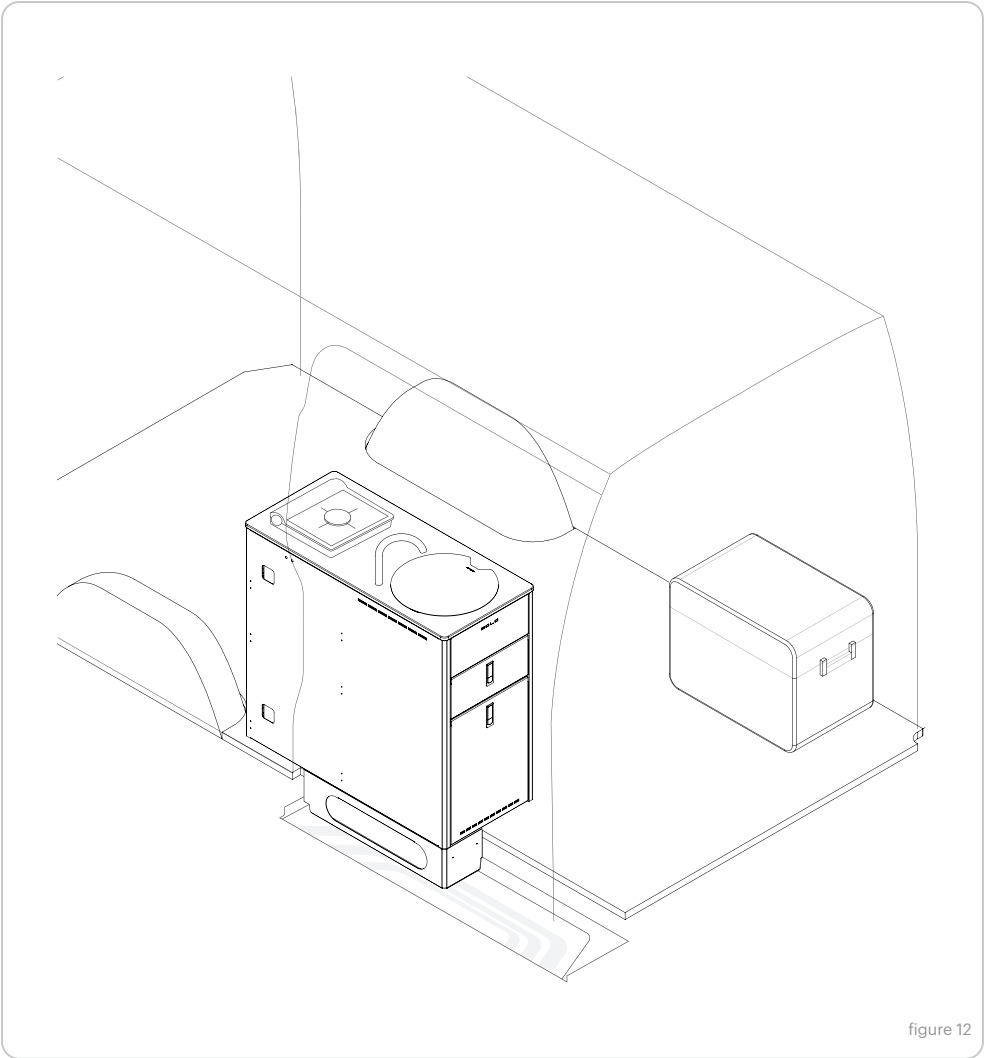
Option 3 Internal water tanks



4. Connect all appliances before placing the countertop on its position. Now fixate from the inside by the twelve 4x14mm thread. We recommend to test all systems before continuing. Place back all drawers at this stage. Make sure there is enough room at the backside of the kitchen galley for them to close.

Installation

Option 3 Internal water tanks



5. Make your galley setup complete by complimenting the kitchen with a portable fridge and a stove.

