

Wheel cabinet

DRIVER SIDE



Installation manual

General information

IMPORTANT Always make sure all connections are tight and secure before driving and occasionally check the fittings in particular when going off-road.

TIP Clean the powder coated surfaces by using a mild soap, try to avoid any aggressive detergents.

NOTICE The installation can involve working with electricity, water or gas. Please make sure you are competent or contact a professional.

BOLT KIT

Wheel well cabinet



8x 5x12mm



4x M5x16mm



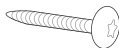
4x M5 cap black



4x M6 rivet



4x M6x16 flange bolt



6x 5x20mm

Required tools



| 3 + 4mm



| T15 + T20



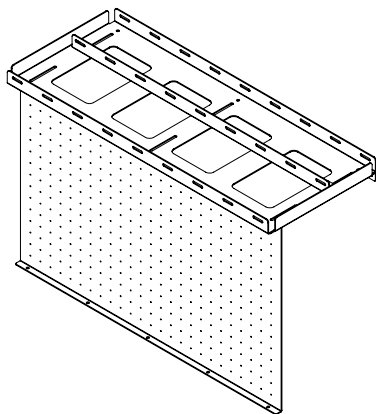
| Drilling machine



| Rivet tool

General information

Options



Option
Battery bracket

Placement

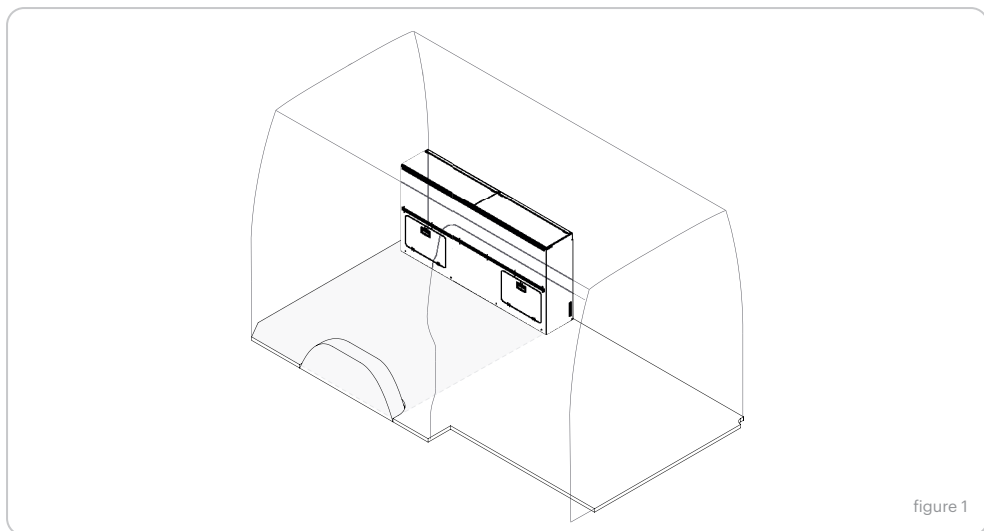


figure 1

MB Sprinter **L2** (2006+) / VW Crafter **L2** (2006-2018) | VW Crafter/MAN GTE **L3** (2018+)

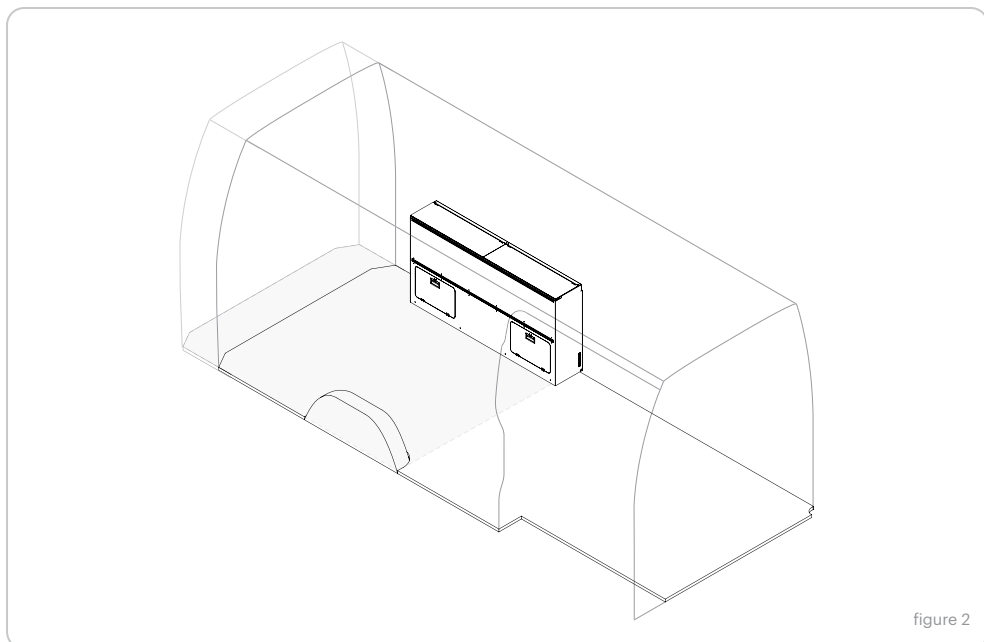
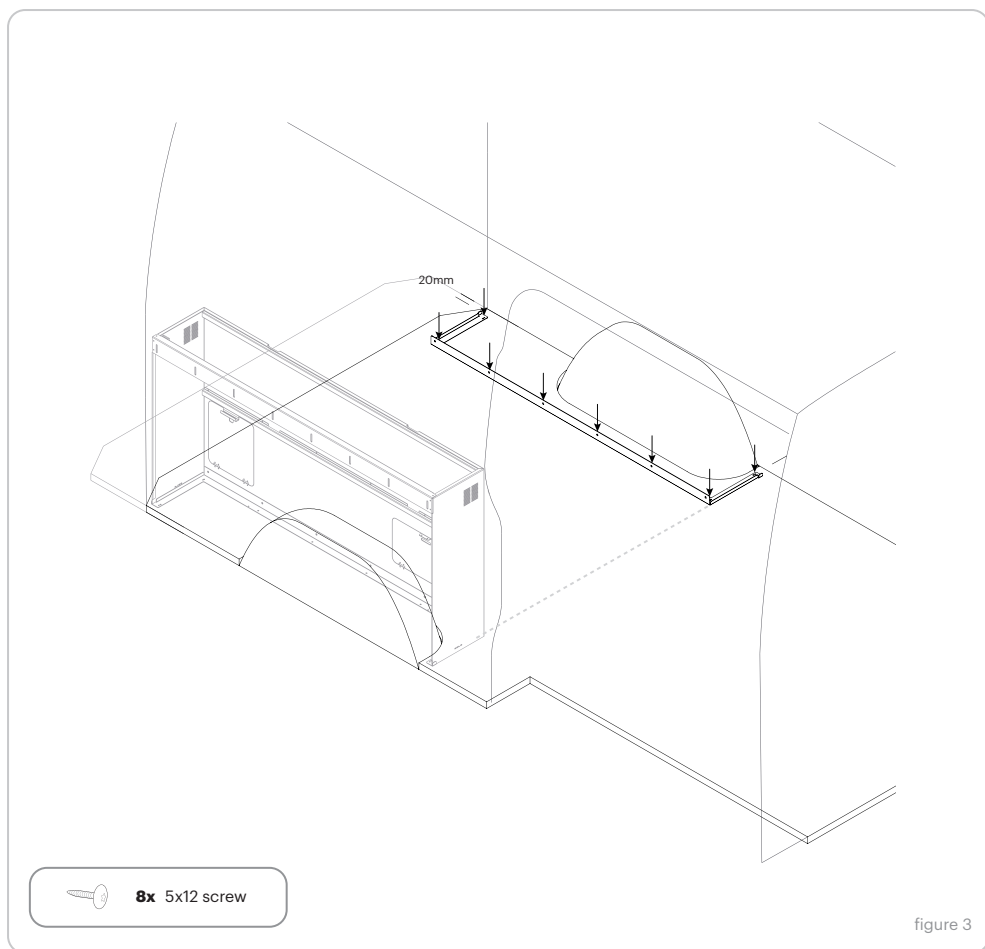


figure 2

MB Sprinter **L3/L4** (2006+) / VW Crafter **L3/L4** (2006-2018) | VW Crafter/MAN GTE **L4** (2018+)

Installation

Floor attachment



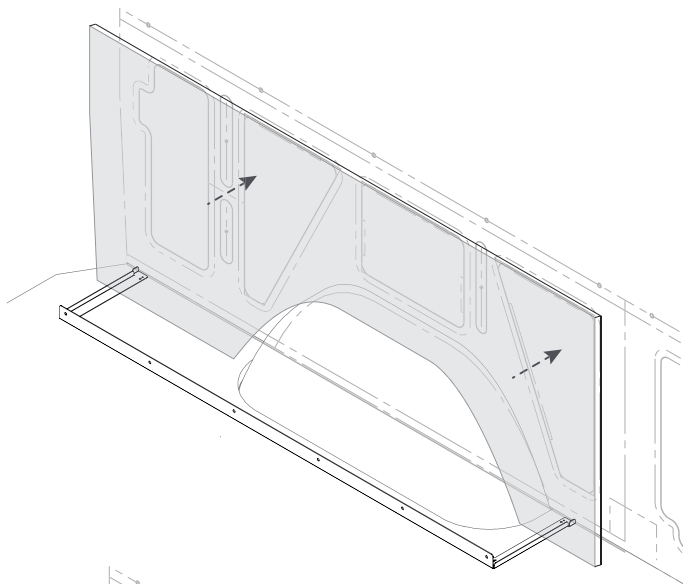
1. Place the floor bracket over the wheel well on the passenger side. Give it a 20mm offset from the wall. Align it to the opposite wheel well cabinet or storage box. You can check this by using any reference point on the original flooring or by the distance relative to the wheel well.

Installation

Wall preparation

A. Wall panel

- + easy mounting
- + insulating
- heavy (9mm+)



B. Brackets.

- + lightweight
- + strong (metal)
- requires pre planning

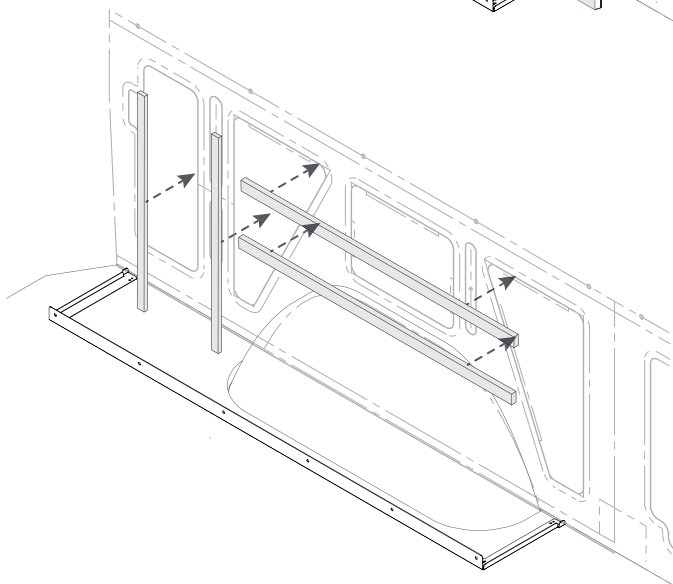


figure 4

Installation

VICTRON ENERGY



SYSTEM A 12V / 1600-2000W

Battery

VICTRON Smart lithium | 50-100Ah
VICTRON BMS

Inverter

VICTRON Multiplus II | 1600W-2000W

Charge

VICTRON Smart solar | 75/20A
VICTRON Orion | 12V/20A

SYSTEM B 24V / 3000-5000W

Battery

VICTRON Smart lithium | 100-200Ah
VICTRON BMS

Inverter

VICTRON Multiplus II | 3000-5000W

Charge

VICTRON Smart solar | 100/30A
VICTRON Orion | 24V/15A

figure 5

2. The cabinet is designed to fit multiple electrical systems. This example uses the electrical components of VICTRON ENERGY to demonstrate the intended layout when using their products. We recommend to use our **Battery bracket** for the optimal use of space.

We showcase the layout based on system A and a full back wall panel. Any other system configurations follow the same guidelines.

Installation

VICTRON ENERGY

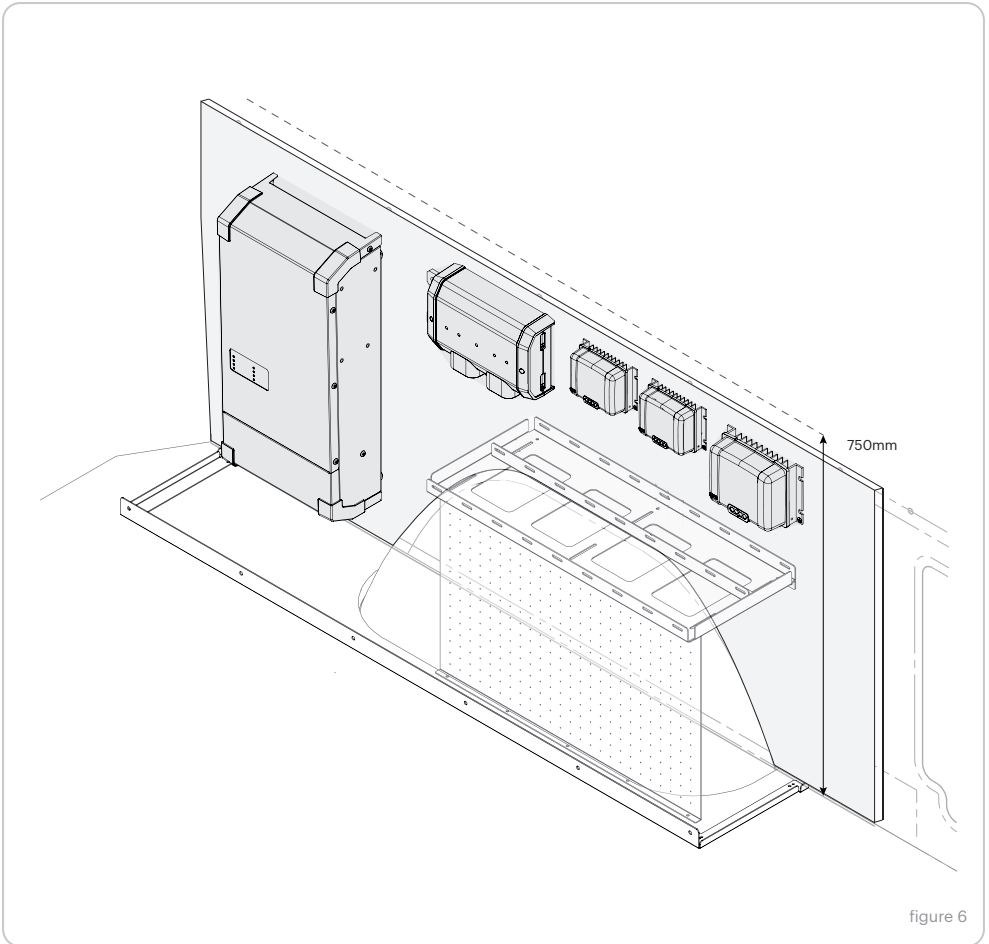


figure 6

3. . We recommend to start by placing the multiplus at the most left corner of the wall. Continue by screwing all individual electrical components in a logical sequence at the back panel.

Note: Allow enough space in between components to allow for better cooling and prevent overheating. In particular the Multiplus inverter.

Installation

VICTRON ENERGY

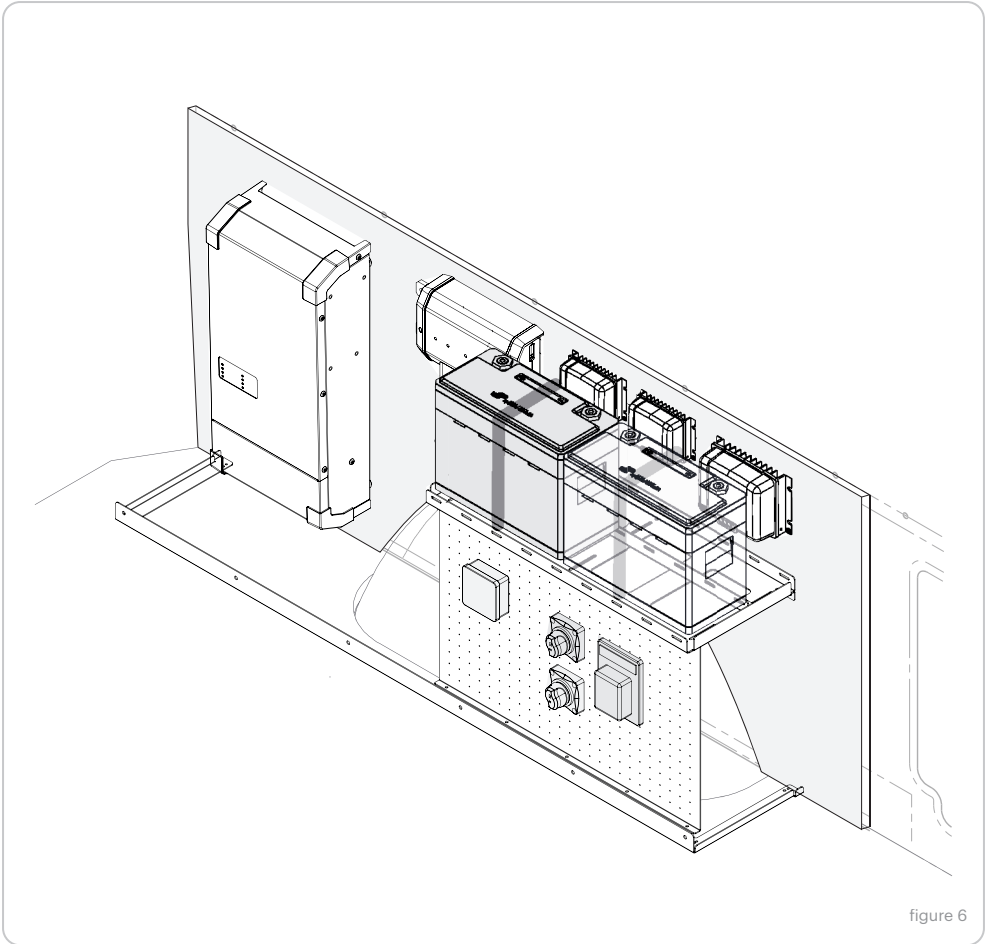


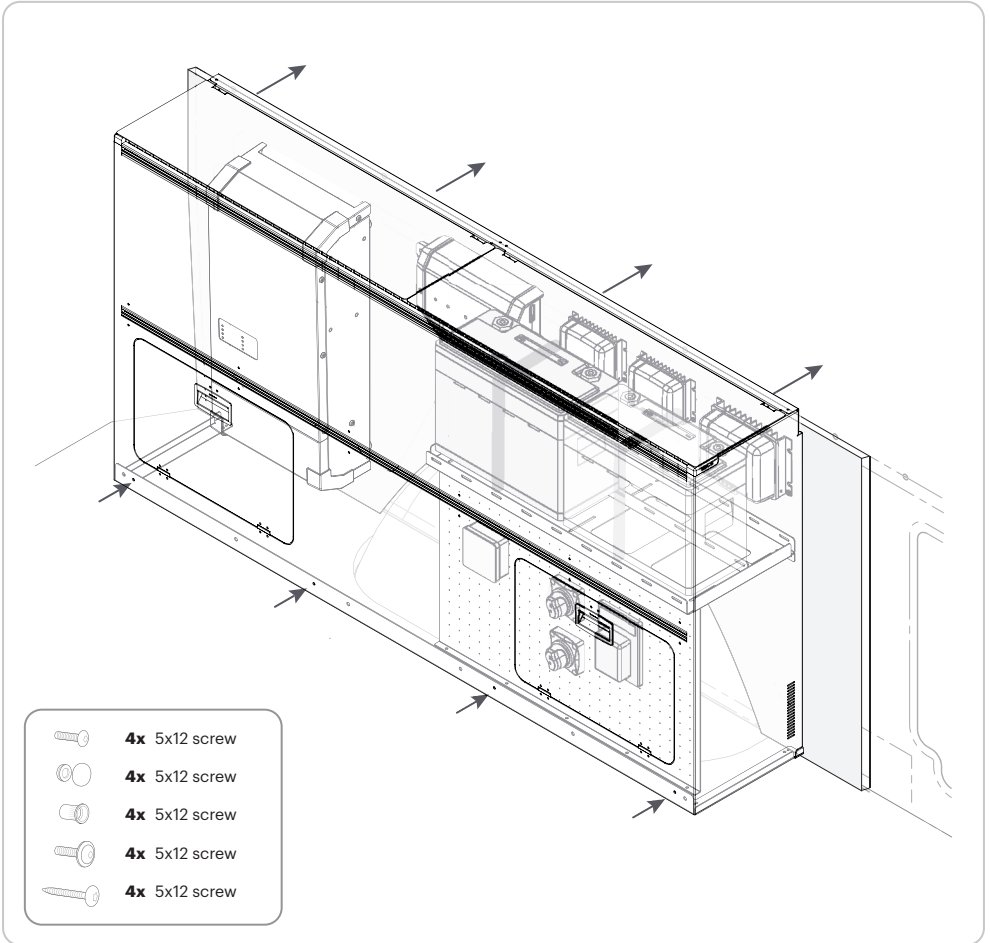
figure 6

4. The following step includes our battery bracket that will allow the Smart Lithium batteries to be placed in front of the back wall. Details on how to install the battery are found in the separate manual.

On the front panel of bracket a variety of smaller components can be installed. Any switches or fuses can be accessed quickly from here by the inspection lid on the cabinet.

Installation

VICTRON



5. Close off the electrical installation by placing the cabinet on the bottom bracket. Use the M5 bolts and the black caps to connect them together. Fixate the back form the inside of the cabinet by either the included rivets, screws or directly the OEM cargo rail.

Note: The wheel cabinet functions as a cover and is designed to be taken off easily in case of any maintenance, malfunctions or upgrades

Installation

ECOFLOW

ECOFLOW

SYSTEM A

Independence kit 2kWh

Battery

ECOFLOW Battery | 2 kWh-4kWh

Inverter

ECOFLOW Power hub | 3600W

ECOFLOW Smart distribution panel
ECOFLOW Power kit console

SYSTEM B

Independence kit 5kWh

Battery

ECOFLOW Battery | 5 kWh-15kWh

Inverter

ECOFLOW Power hub | 3600W

ECOFLOW Smart distribution panel
ECOFLOW Power kit console

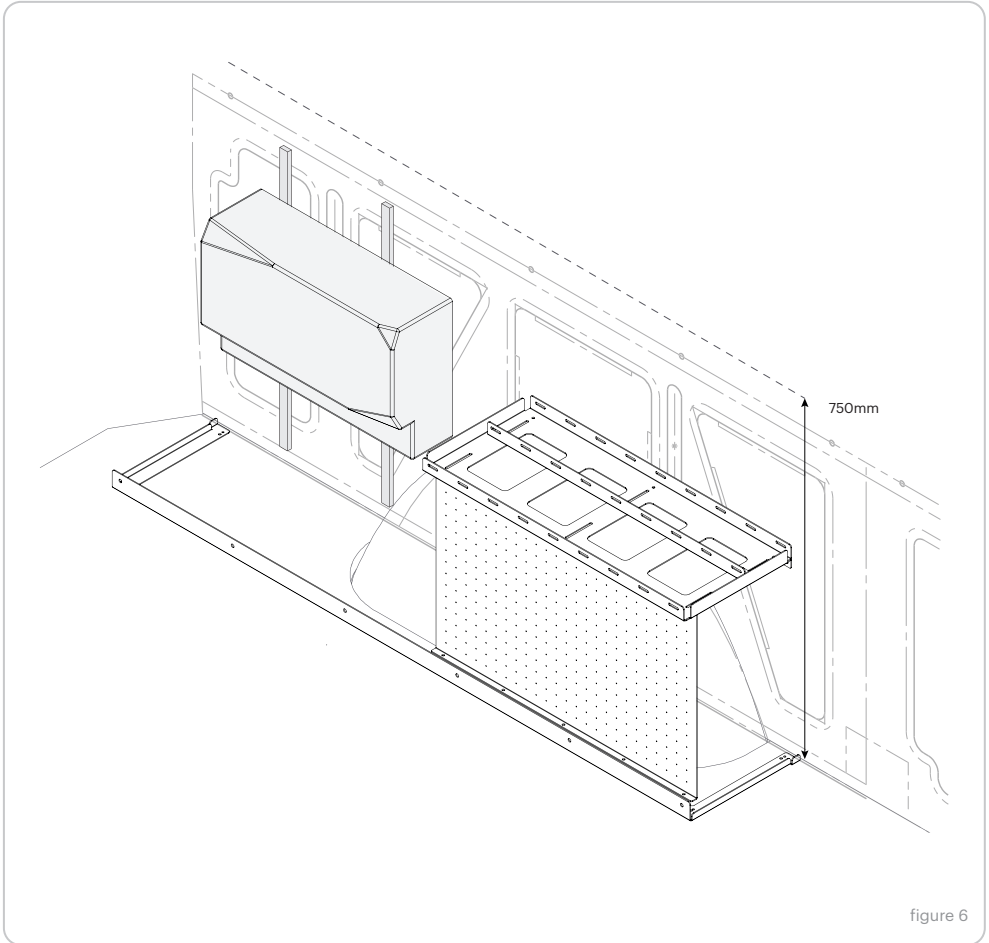
figure 7

2. The cabinet is designed to fit multiple electrical systems. This example uses the electrical components of the ECOFLOW independence kit to demonstrate the intended layout when using their products. We recommend to use our **Battery bracket** for the optimal use of space.

We showcase the layout based on system B and brackets instead of a full back wall panel. Any other system configurations follow the same guidelines.

Installation

ECOFLOW

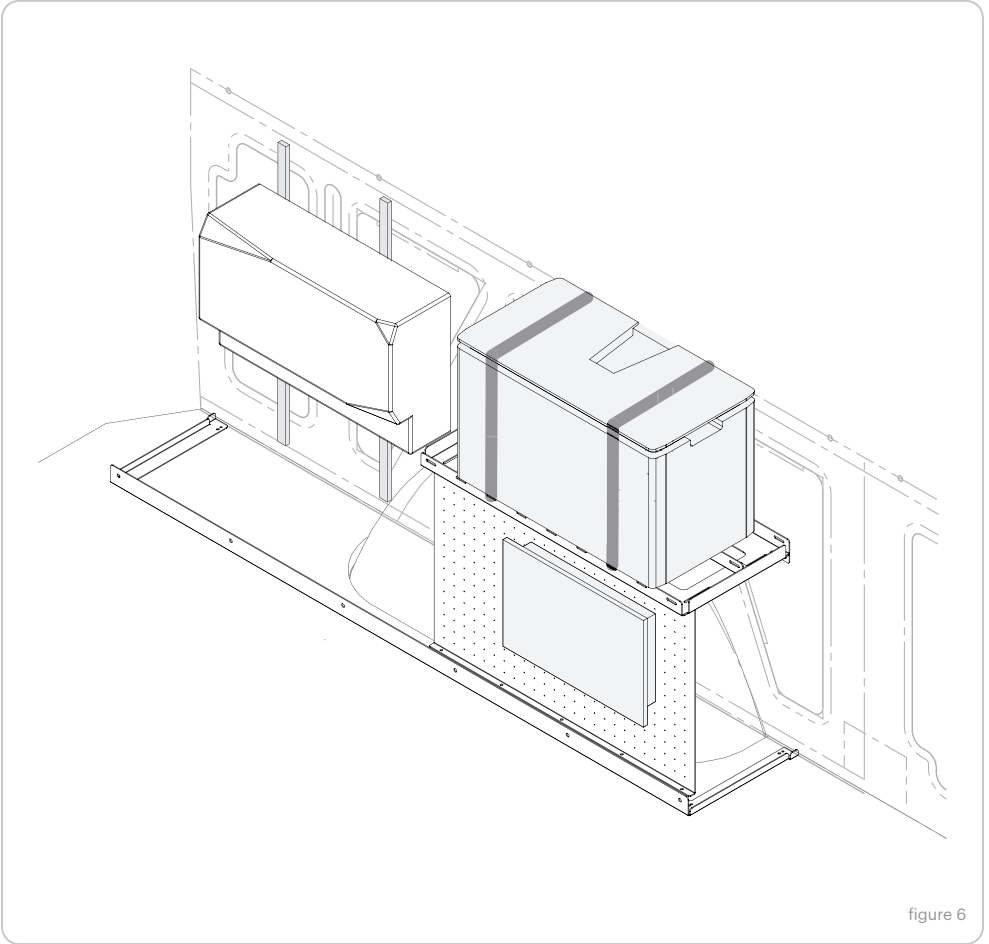


3. . We recommend to start by placing the power hub at the most left corner of the wall.

Note: Allow enough space around the power hub to allow for better cooling and prevent overheating.

Installation

ECOFLOW

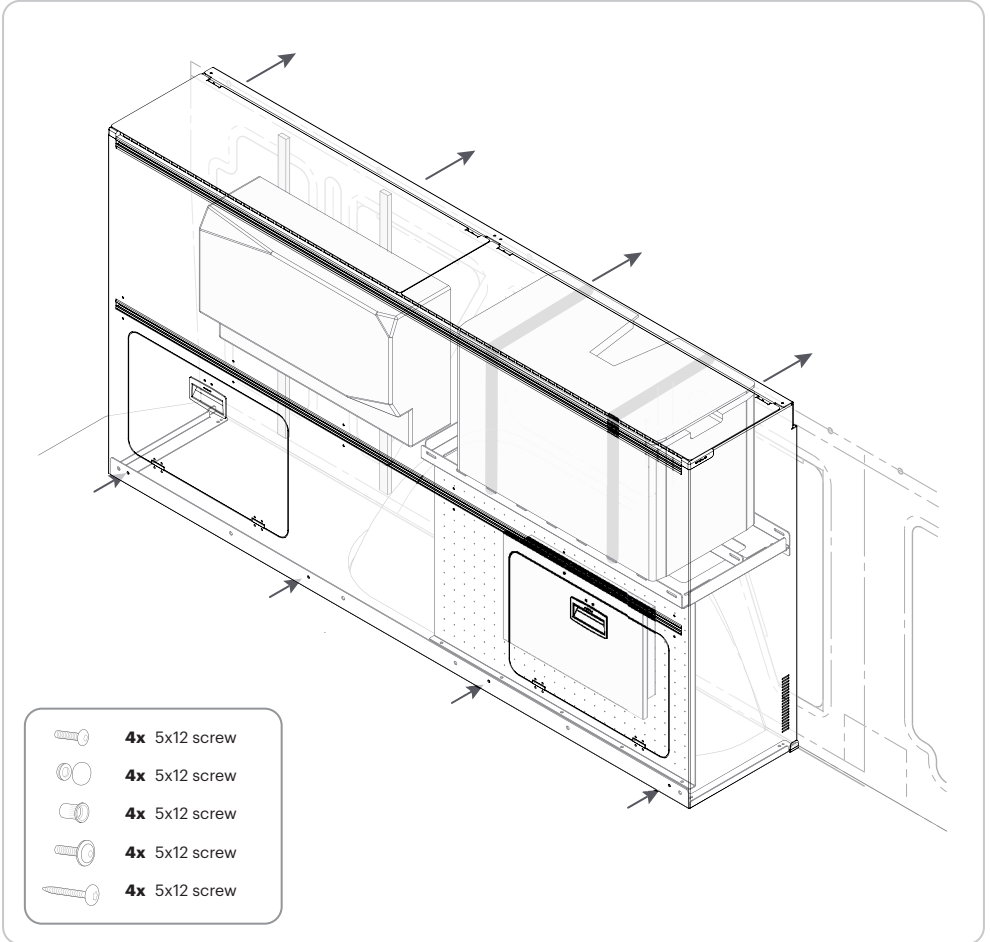


4. The following step includes our battery bracket that will allow the LFP 5kWh battery to be placed above the wheel well. Details on how to install the battery are found in the separate manual.

On the front panel of bracket the AC DC smart distribution panel can be installed and be accessed quickly from here by the inspection lid on the cabinet.

Installation

ECOFLOW

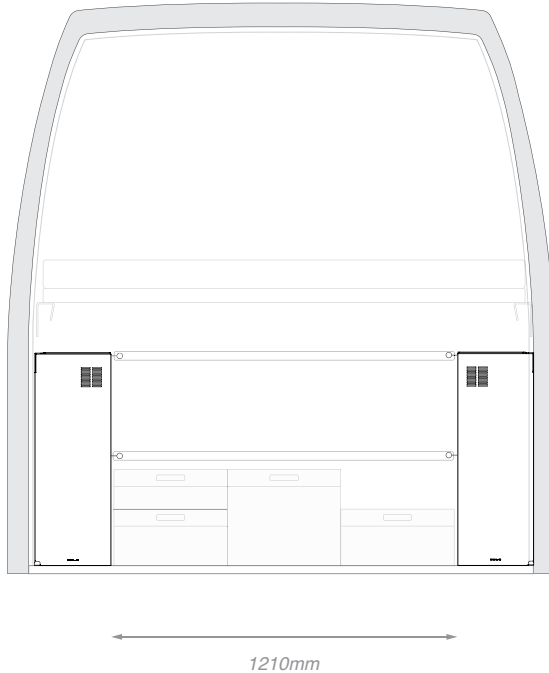


5. Close off the electrical installation by placing the cabinet on the bottom bracket. Use the M5 bolts and the black caps to connect them together. Fixate the back form the inside of the cabinet by either the included rivets, screws or directly the OEM cargo rail.

Note: The wheel cabinet functions as a cover and is designed to be taken off easily in case of any maintenance, malfunctions or upgrades

Installation

Cargo bay



6. The cabinets are designed to create a large cargo area where a lot of storage configurations are possible. Thanks to the slim proportions it will be possible to place 3 EURO size boxes of 400mm

